

Grandstream Networks, Inc.

126 Brookline Ave, 3rd Floor  
Boston, MA 02215. USA  
Tel : +1 (617) 566 - 9300

[www.grandstream.com](http://www.grandstream.com)



**GWN7811(P)-GWN7812P-GWN7813(P)**

Enterprise Layer 3 Managed Network Switch

**Quick Installation Guide**



For Certification, Warranty and RMA information, please visit  
[www.grandstream.com](http://www.grandstream.com)

## **Content**

---

English.....	1
Chinese.....	7
Español.....	10
Français.....	16
Deutsch.....	22
Italiano.....	28
Português.....	34
Русский.....	40

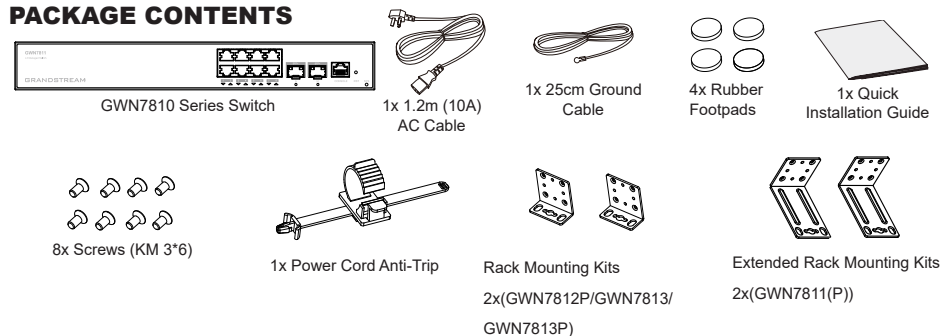
## EN OVERVIEW

The GWN7810 series are Layer 3 managed network switches that allow medium-to-large enterprises to build scalable, secure, high performance and smart business networks that are fully manageable. It supports advanced VLAN for flexible and sophisticated traffic segmentation, advanced QoS for prioritization of network traffic, IGMP/MLD Snooping for network performance optimization, and comprehensive security capabilities against potential attacks. The PoE models provide smart dynamic PoE output to power IP phones, IP cameras, Wi-Fi access points and other PoE endpoints. GWN7810 series can be managed in a number of ways, including the local web user interface of the GWN7810 series switch and CLI, the command-line interface. The series is also supported by GWN.Cloud and GWN Manager, Grandstream's cloud and on-premise network management platform. The GWN7810 series are the best value enterprise-grade managed network switches for medium-to-large businesses.

### PRECAUTIONS

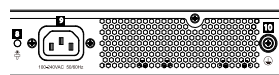
- Do not attempt to open, disassemble, or modify the device.
- Do not expose this device to temperature outside range of 0 °C to 45 °C for operation and -10 °C to 60 °C for storage.
- Do not expose the GWN7810 to environments outside of the following humidity range: 10-90% RH (non-condensing) for operation and 5-95% RH (non-condensing) for storage.
- Do not power cycle your GWN7810 during system boot up or firmware upgrade. You may corrupt firmware images and cause the unit to malfunction.

### PACKAGE CONTENTS

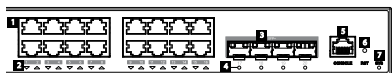


### PORTS & LED INDICATORS

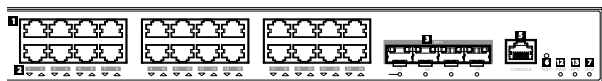
#### GWN7811/GWN7811P



#### GWN7812P

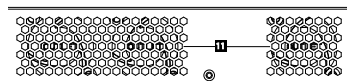


#### GWN7813/GWN7813P



GWN7813

GWN7813P



GWN7813P Side Panel

No.	Port & LED	Description
1	GWN7811(P): Port 1-8 GWN7812P: Port 1-16 GWN7813(P): Port 1-24	Ethernet RJ45 (10/100/1000Mbps), used for connecting terminals. <b>Note:</b> GWN7811P-GWN7812P-GWN7813P Ethernet ports support PoE and PoE+. GWN7813P port 1-8 support PoE++.
2	GWN7811(P): 1-8 GWN7812P: 1-16 GWN7813(P): 1-24	Ethernet ports' LED indicators
3	GWN7811(P): Port 9-10 GWN7812P: Port 17-20 GWN7813(P): Port 25-28	GWN7811(P): 2x 10Gbps SFP+ ports GWN7812P: 4x 10Gbps SFP+ ports GWN7813(P): 4x 10Gbps SFP+ ports
4	GWN7811(P): 9-10 GWN7812P: 17-20 GWN7813(P): 25-28	SFP+ ports' LED indicators
5	CONSOLE	1x Console port, used for connecting managing PC
6	RST	Factory Reset pinhole. Press for 5 seconds to reset factory default settings
7	SYS	System LED indicator
8		Power cord anti-trip hole
9	100-240VAC 50-60Hz	Power socket
10		Grounding terminal
11	Fan	GWN7812P: 2x Fans   GWN7813P: 3x Fans
12	PWR	Internal power supply LED indicator
13	RPS	Secondary external power supply LED indicator
14		External power supply rubber plug
15		External RPS power outlet

**Note:** External RPS (Redundant Power Supply) is sold separately.

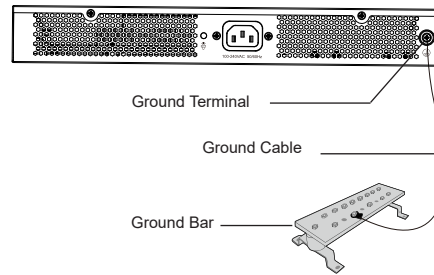
### LED Indicator

LED Indicator	Status	Description
System Indicator	Off	Power off
	Solid green	Booting
	Flashing green	Upgrade
	Solid blue	Normal use
	Flashing blue	Provisioning
	Solid red	Upgrade failed
	Flashing red	Factory reset
Port Indicator	Off	For all ports, port off & For SFP+ ports, port failure
	Solid green	Port connected and there is no activity
	Flashing green	Port connected and data is transferring
	Solid yellow	Ethernet port connected and PoE powered
	Flashing yellow	Ethernet port connected, data is transferring and PoE powered
PWR/RPS Indicator	Alternately flashing yellow and green	Ethernet port failure
	Off	Unused or failure
	Solid Green	In use
	Solid Red	Overvoltage or undervoltage

## POWERING & CONNECTING

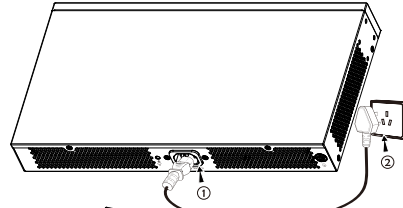
### Grounding the Switch

1. Remove the ground screw from the back of switch, and connect one end of the ground cable to the wiring terminal of switch.
2. Put the ground screw back into the screw hole, and tighten it with a screwdriver.
3. Connect the other end of the ground cable to other device that has been grounded or directly to the terminal of the ground bar in the equipment room.



### Powering on the Switch

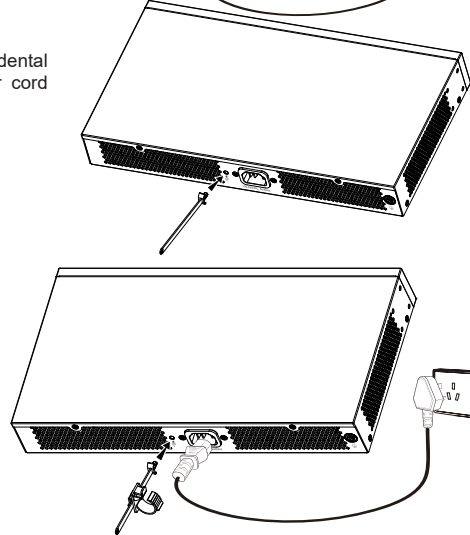
Connect the power cable and the switch first, then connect the power cable to the power supply system of the equipment room.



### Connecting Power Cord Anti-Trip

In order to protect the power supply from accidental disconnection, it's recommended to use a power cord anti-trip for installation.

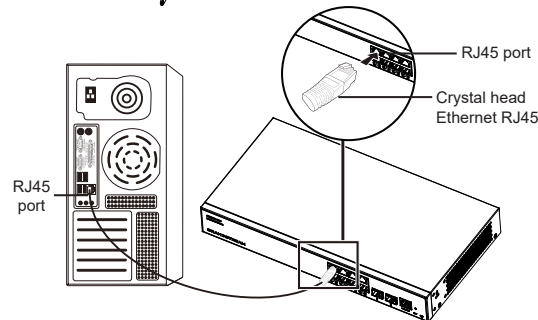
1. Force the head of the fixing strap tightly into the hole next to the power socket until it's buckled on the shell without falling off.
2. After plugging the power cord into the power outlet, slide the protector over the remaining strap until it slides over the end of the power cord.
3. Wrap the strap of the protective cord around the power cord and lock it tightly. Fasten the straps until the power cord is securely fastened.



## PORT CONNECTING

### Connect to RJ45 Port

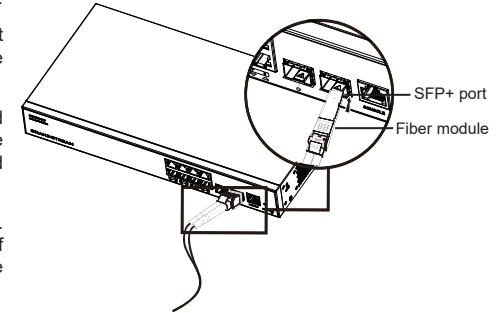
1. Connect one end of the network cable to the switch, and the other end to the peer device.
2. After powered on, check the status of the port indicator. If on, it means that the link is connected normally; if off, it means the link is disconnected, please check the cable and the peer device whether is enabled.



### Connect to SFP+ Port

The installation process of the fiber module is as follows:

1. Grasp the fiber module from the side and insert it smoothly along the switch SFP+ port slot until the module is in close contact with the switch.
2. When connecting, pay attention to confirm the Rx and Tx ports of SFP+ fiber module. Insert one end of the fiber into the Rx and Tx ports correspondingly, and connect the other end to another device.
3. After powered on, check the status of the port indicator. If on, it means that the link is connected normally; if off, it means the link is disconnected, please check the cable and the peer device whether is enabled.

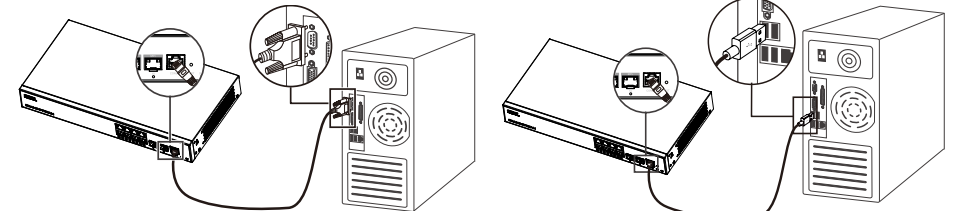


### Notes:

- Please select the optical fiber cable according to the module type. The multi-mode module corresponds to the multi-mode optical fiber, and the single-mode module corresponds to the single-mode optical fiber.
- Please select the same wavelength optical fiber cable for connection.
- Please select an appropriate optical module according to the actual networking situation to meet different transmission distance requirements.
- The laser of the first-class laser products is harmful to eyes. Do not look directly at the optical fiber connector.

### Connect to Console Port

1. Connect the console cable (prepared by yourself) to the DB9 male connector or USB port to the PC.
2. Connect the other end of the RJ45 end of the console cable to the console port of switch.



Connect to Console Port (DB9)

Connect to Console Port (USB)

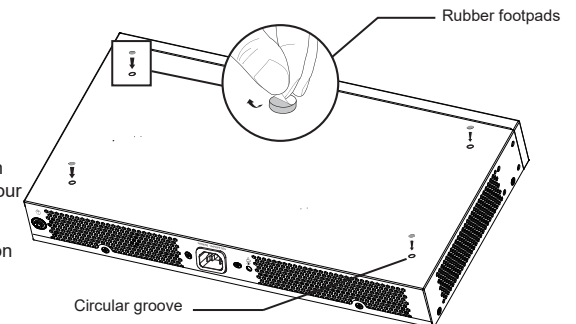
### Notes:

- To connect, the steps order (1 -> 2) must be respected.
- To disconnect, the steps order is reversed (2 -> 1).

## INSTALLATION

### Install on the Desktop

1. Place the bottom of switch on a sufficiently large and stable table.
2. Peel off the rubber protective paper of the four footpads one by one, and stick them in the corresponding circular grooves at the four corners of the bottom of the case.
3. Flip the switch over and place it smoothly on the table.

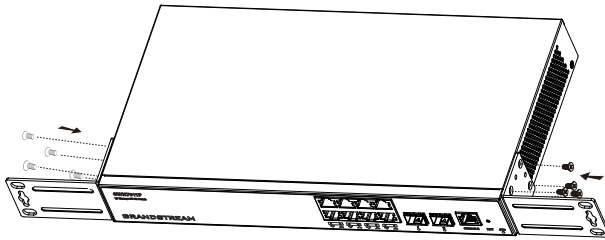




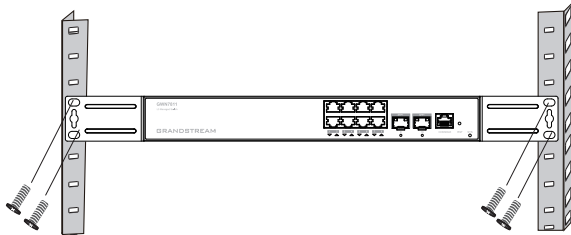
## Install on a 19" Standard Rack

**Note:** GWN7811(P) require the Extended Rack Mounting Kits.

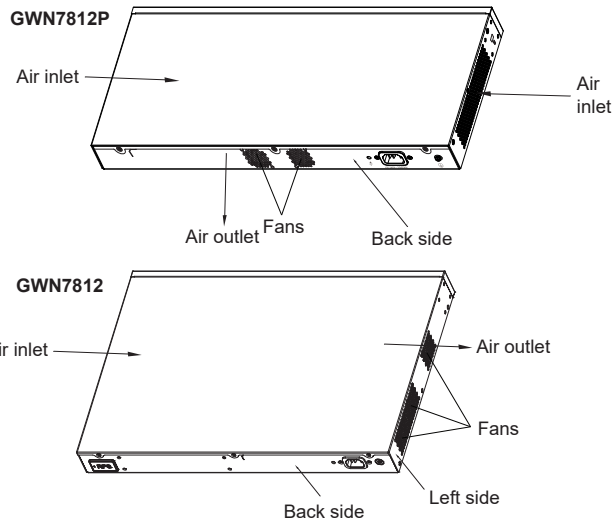
1. Check the grounding and stability of the rack.
2. Install the two L-shaped rack-mounting in the accessories on both sides of switch, and fix them with the screws provided (KM 3\*6).



3. Place the switch in a proper position in the rack and support it by the bracket.
4. Fix the L-shaped rack-mounting to the guide grooves at both ends of the rack with screws (prepared by yourself) to ensure that the switch is stable and horizontally installed on the rack.



**Note:** To avoid high temperatures and keep the device cool, sufficient space should be left around the switch for heat dissipation. The air inlet of the switch cannot face or be close to the air outlet of other devices.



## ACCESS & CONFIGURE

**Note:** If no DHCP server is available, the GWN7810 default IP address is 192.168.0.254.

### Method 1: Login using the Web UI

1. A PC uses a network cable to correctly connect any RJ45 port of the switch.
2. Set the Ethernet (or local connection) IP address of the PC to 192.168.0.x ("x" is any value between 1-253), and the subnet mask to 255.255.255.0, so that it is in the same network segment with switch IP address. If DHCP is used, this step could be skipped.
3. Type the switch's management IP address `http://<gwn7810_IP>` in the browser, and enter username and password to login. (The default administrator username is "admin" and the default random password can be found at the sticker on the GWN7810 switch).



### Method 2: Login using the Console port

1. Use the console cable to connect the console port of switch and the serial port of PC.
2. Open the terminal emulation program of PC (e.g. SecureCRT), enter the default username and password to login. (The default administrator username is "admin" and the default random password can be found at the sticker on the GWN7810 switch).

### Method 3: Login Remotely using SSH/Telnet

1. Turn on the Telnet of the switch.
2. Enter "`cmd`" in PC/Start.
3. Enter `telnet <gwn7810_IP>` in the cmd window.
4. Enter the default username and password to login. (The default administrator username is "admin" and the default random password can be found at the sticker on the GWN7810 switch).

### Method 4: Configure using GWN.Cloud / GWN Manager

Type `https://www.gwn.cloud` (`https://<gwn_manager_IP>` for GWN Manager) in the browser, and enter the account and password to login the cloud platform. If you don't have an account, please register first or ask the administrator to assign one for you.

The GNU GPL license terms are incorporated into the device firmware and can be accessed via the Web user interface of the device at `my_device_ip/gpl_license`. It can also be accessed here: <https://www.grandstream.com/legal/open-source-software> To obtain a CD with GPL source code information please submit a written request to: [info@grandstream.com](mailto:info@grandstream.com)

Refer to online documents and FAQ for more detailed information:  
<https://www.grandstream.com/our-products>

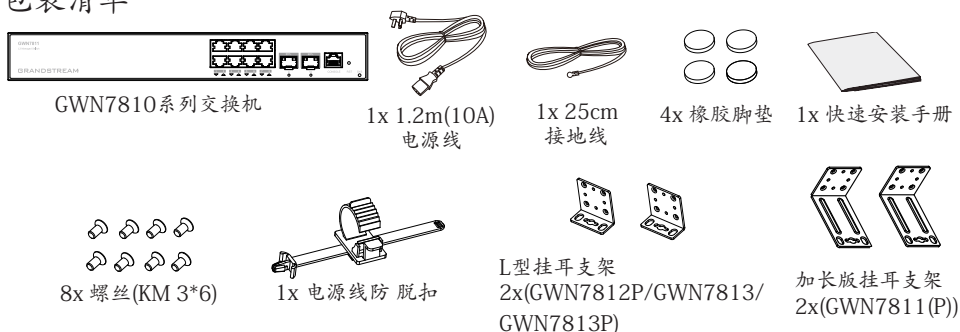
## ZH 概述

GWN7810系列作为3层企业级网管交换机，专为中大型企业构建支持全量管理的可扩展、安全、高性能的智能网络。它既可以用于高级VLAN进行灵活复杂的流量隔离，也可以用于高级QoS对强敏感性的语音/视频流量进行自动检测和优先处理，还可以用于组播侦听进行网络性能优化，以及针对潜在攻击的综合安全功能。PoE型号提供智能PoE输出，为IP电话、IP摄像机、Wi-Fi接入点和其他PoE设备供电。GWN7810系列支持通过多种方式管理，包括嵌入式本地网络控制器、命令行接口CLI、Grandstream的免费本地网络管理私有云平台（GWN Manager）和公有云平台（GWN.Cloud）。GWN7810系列是面向中大型企业最具效益的网管交换机。

### 注意事项

- 请勿尝试打开、拆解或修改设备。
- 不要将本设备暴露在温度超出 0°C至45°C的工作环境或超出-10°C至 60°C的储存环境。
- 请勿将本设备暴露在工作湿度10-90%RH（无冷凝）和储存湿度 5-95%RH（无冷凝）的环境中。
- 系统启动或固件升级期间，请勿断开电源。这可能会损坏设备固件，并导致设备故障。

### 包装清单

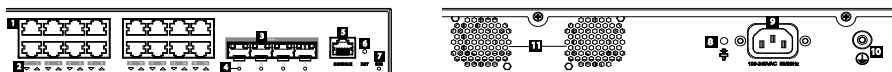


### 端口&LED指示灯

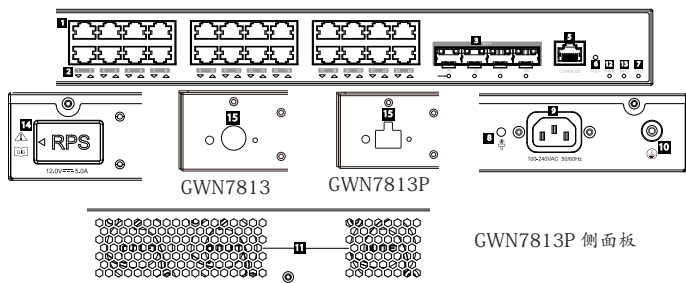
GWN7811/GWN7811P



GWN7812P



GWN7813/GWN7813P



序号	端口&LED	描述
1	GWN7811(P): 端口 1-8 GWN7812P: 端口 1-16 GWN7813(P): 端口 1-24	以太网RJ45端口 (10/100/1000Mbps), 用于连接以太网设备 注意: GWN7803P以太网端口支持PoE/ PoE+供电, GWN7813P端口1-8支持PoE++
2	GWN7811(P): 1-8 GWN7812P: 1-16 GWN7813(P): 1-24	以太网端口LED指示灯
3	GWN7811(P): 端口 9-10 GWN7812P: 端口 17-20 GWN7813(P): 端口 25-28	GWN7811(P): 2x 10Gbps SFP+ 端口 GWN7812P: 4x 10Gbps SFP+ 端口 GWN7813(P): 4x 10Gbps SFP+ 端口
4	GWN7811(P): 9-10 GWN7812P: 17-20 GWN7813(P): 25-28	SFP+端口LED指示灯
5	CONSOLE	1x Console端口, 用于连接管理计算机
6	RST	恢复出厂设置按钮 按5秒恢复出厂默认设置
7	SYS	系统LED指示灯
8		电源线防脱孔
9	100-240VAC 50-60Hz	电源插座
10		防雷接地柱
11	风扇	GWN7812P: 2x 风扇   GWN7813P: 3x 风扇
12	PWR	内置电源LED指示灯
13	RPS	外置冗余电源LED指示灯
14		外置冗余电源橡胶塞
15		外置冗余电源插座

注意: 外部RPS(冗余电源)单独售卖。

### LED指示灯

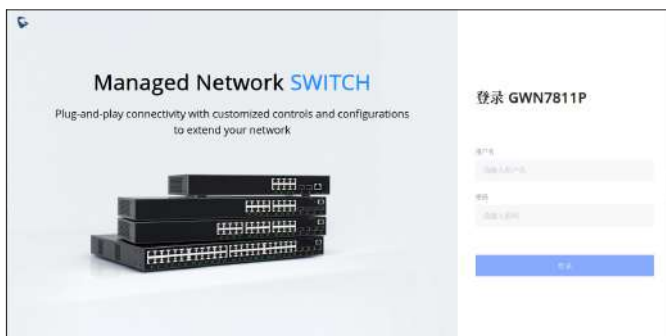
LED指示灯	指示灯状态	说明
系统指示灯	关闭	断电
	绿色常亮	开机启动
	绿色闪烁	升级
	蓝色常亮	正常运行
	蓝色闪烁	配置应用
	红色常亮	升级失败
	红色闪烁	恢复出厂
端口指示灯	关闭	- 端口关闭 - SFP+端口故障
	绿色常亮	端口连接
	绿色闪烁	端口有数据收发
	黄色常亮	以太网端口连接且进行PoE供电
	黄色闪烁	以太网端口有数据收发且进行 PoE供电
	黄绿交替闪烁	以太网端口故障
PWR/RPS指示灯	关闭	未使用或故障
	绿色常亮	使用中
	红色常亮	电源过压或欠压

## 访问和配置设备

注意：如果网络中没有DHCP服务器，GWN7810 的缺省IP地址将是：192.168.0.254。

### 方法1：使用Web UI登录交换机

1. 普通计算机使用网线正确连接交换机任意一个RJ45端口。
2. 设置计算机的以太网(或本地连接)IP地址192.168.0.x(“x”为1-253 间任意值)，子网掩码设置为255.255.255.0，使其与交换机的IP地址在同一网段。如果使用DHCP，则可以跳过此步骤。
3. 打开浏览器，在地址栏中输入交换机默认管理IP地址 [http://<gwn7810\\_IP>](http://<gwn7810_IP>)，并输入默认用户名和密码（默认用户名为admin，默认密码为随机值，写于设备机身贴纸上）。



### 方法2：使用Console口登录交换机

1. 使用Console连接线连接交换机的Console口和计算机的串口。
2. 打开计算机的终端仿真程序（如SecureCRT程序），进入后输入默认用户名和密码（默认用户名为admin，默认密码为随机值，写于设备机身贴纸上），即可访问交换机。

### 方法3：使用SSH/Telnet远程登录交换机

1. 打开交换机的Telnet功能。
2. 在计算机/开始中输入“cmd”。
3. 在cmd窗口中输入telnet <gwn7810\_IP>。
4. 输入默认用户名和密码（默认用户名为admin，默认密码为随机值，写于设备机身贴纸上），回车即可登录。

### 方法4：使用GWN.Cloud / GWN Manager云平台远程管理交换机

在计算机地址栏中输入<https://www.gwn.cloud>，并输入帐号和密码以进入云平台页面。若无帐号，可进行注册或找管理员帮忙分配。在平台上添加交换机即可进行管理。

GNU GPL许可条款已包含在设备固件中，可以通过设备的Web用户界面 [my\\_device\\_ip/gpl\\_license](#) 进行访问。也可以通过以下链接访问：<http://www.grandstream.com/legal/open-source-software>。如果需要包含GPL源代码信息的CD，请发邮件到 [info@grandstream.com](mailto:info@grandstream.com) 提交请求。

欲获取详细的交换机使用信息，请在以下链接中查看GWN7810系列用户手册  
<https://www.grandstream.com/our-products>

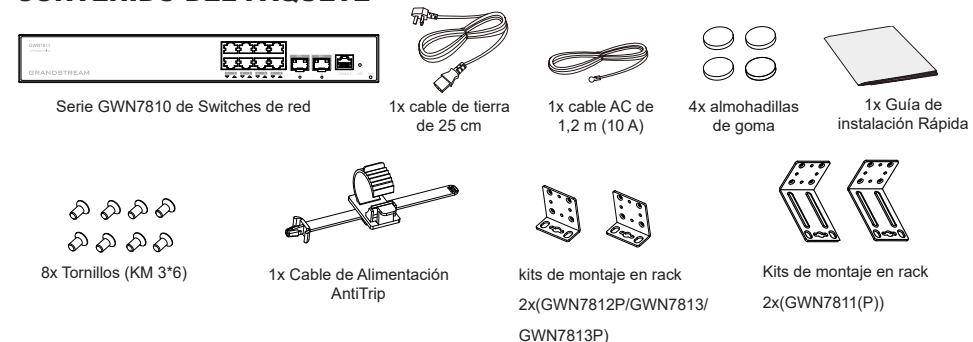
## ES RESUMEN

La serie GWN7810 está conformada por conmutadores de red administrados de capa 3 que permiten a las medianas y grandes empresas crear redes comerciales escalables, seguras, de alto rendimiento e inteligentes que son totalmente administrables. Poseen también un soporte avanzado de VLAN para una segmentación de tráfico flexible y sofisticada, QoS avanzado para priorizar el tráfico de red, IGMP/MLD Snooping para optimizar el rendimiento de la red y capacidades de seguridad integrales contra posibles ataques. Los modelos PoE proporcionan una salida PoE dinámica inteligente para alimentar teléfonos IP, cámaras IP, puntos de acceso Wi-Fi y otros terminales PoE. La serie GWN7810 se puede administrar de varias maneras, incluida la interfaz de usuario web local del conmutador de la serie GWN7810 y CLI, la interfaz de línea de comandos. La serie también es compatible con GWN.Cloud y GWN Manager, las plataformas de gestión de red local y en la nube de Grandstream. La serie GWN7810 son los conmutadores de red administrados de nivel empresarial de mejor valor para medianas y grandes empresas.

## PRECAUCIONES

- No intente abrir, desarmar o modificar el dispositivo.
- No exponga este dispositivo a temperaturas fuera del rango de 0 °C a 45 °C en funcionamiento y desde -10 °C a 60 °C cuando se encuentre almacenado.
- No exponga el GWN7810 a entornos fuera del siguiente rango de humedad: 10-90% RH (sin condensación) y 5-95% RH (non-condensing) cuando se encuentre almacenado.
- No apague su GWN7810 durante el reinicio del sistema o actualización de Firmware. Puede corromper la imagen del firmware y causar un mal funcionamiento de la unidad.

## CONTENIDO DEL PAQUETE



## PUERTOS E INDICADORES LED

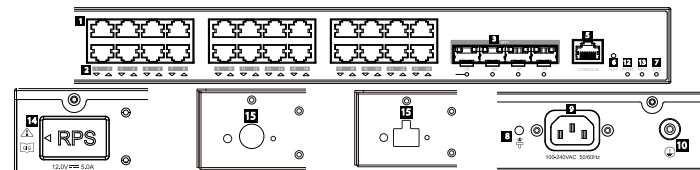
### GWN7811/GWN7811P



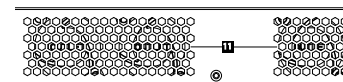
### GWN7812P



### GWN7813/GWN7813P



GWN7813 GWN7813P



GWN7813P Panel lateral

No.	Puerto Y LED	Descripción
1	GWN7811(P): Port 1-8 GWN7812P: Port 1-16 GWN7813(P): Port 1-24	Ethernet RJ45 (10/100/1000Mbps), utilizado para conectar terminales. <b>Notas:</b> Los puertos Ethernet del GWN7811P-GWN7812P-GWN7813P soportan PoE y PoE+. Los puertos 1-8 del GWN7813P son compatible con PoE++.
2	GWN7811(P): 1-8 GWN7812P: 1-16 GWN7813(P): 1-24	Indicadores LED de los puertos Ethernet
3	GWN7811(P): Port 9-10 GWN7812P: Port 17-20 GWN7813(P): Port 25-28	GWN7811(P): 2x puertos SFP+ de 10 Gbps GWN7812P: 4x puertos SFP+ de 10 Gbps GWN7813(P): 4x puertos SFP+ de 10 Gbps
4	GWN7811(P): 9-10 GWN7812P: 17-20 GWN7813(P): 25-28	Indicadores LED de los puertos SFP+
5	CONSOLE	1x puerto de consola, utilizado para conectar una PC directamente al conmutador y administrarlo.
6	RST	Botón de restablecimiento de fábrica. Presione durante 5 segundos para restablecer la configuración predeterminada de fábrica.
7	SYS	Indicador LED del sistema
8		Orificio para la unidad de fijación del cable de alimentación
9	100-240VAC 50-60Hz	Toma de corriente
10		Terminal de puesta a tierra
11	Ventilador	GWN7812P: 2x Ventiladores   GWN7813P: 3x Ventiladores
12	PWR	Indicador LED de fuente de alimentación interna
13	RPS	Indicador LED de fuente de alimentación externa secundaria
14		Enchufe de goma de la fuente de alimentación externa
15		Toma de corriente RPS externa

**Nota:** La fuente de alimentación redundante (RPS) externa se vende por separado.

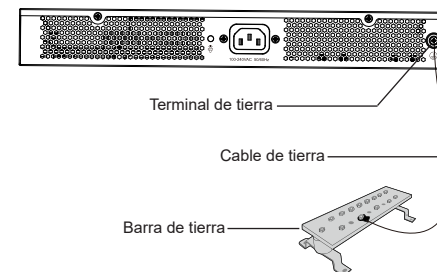
#### Indicador LED

Indicador LED	Estado	Descripción
Indicador del sistema	Off	Apagado
	Verde solido	Iniciando
	Verde intermitente	Actualización
	Azul sólido	Uso habitual
	Azul intermitente	Aprovisionando
	Rojo sólido	Actualización fallida
	Rojo intermitente	Restablecimiento de fábrica
Indicador del puerto	Off	<ul style="list-style-type: none"> <li>Para todos los puertos, puerto apagado</li> <li>Para puertos SFP+, falla de puerto</li> </ul>
	Verde solido	Puerto conectado y no hay actividad
	Verde intermitente	Puerto conectado y se están transfiriendo datos
	Amarillo sólido	Ethernet port connected and PoE powered
	Amarillo intermitente	Ethernet port connected, data is transferring and PoE powered
PWR/RPS Indicador	Verde y amarillo intermitentes de forma alternada	Falla del puerto ethernet
	Off	Sin uso o fallo
	Verde solido	En uso
	Rojo sólido	Sobre Voltaje o muy bajo voltaje

## ENERGIZANDO Y CONECTANDO

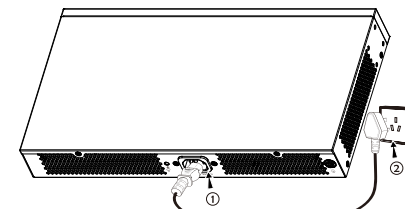
### Conectando a tierra el Switch

1. Retire el tornillo de tierra de la parte posterior del Switch y conecte un extremo del cable de tierra al terminal del del Switch.
2. Coloque nuevamente el tornillo de tierra en el orificio del tornillo y apriételo con un destornillador.
3. Conecte el otro extremo del cable de tierra a otro dispositivo que haya sido puesto a tierra o directamente a la terminal de la barra de tierra de la sala de equipos.



### Energizando el Switch

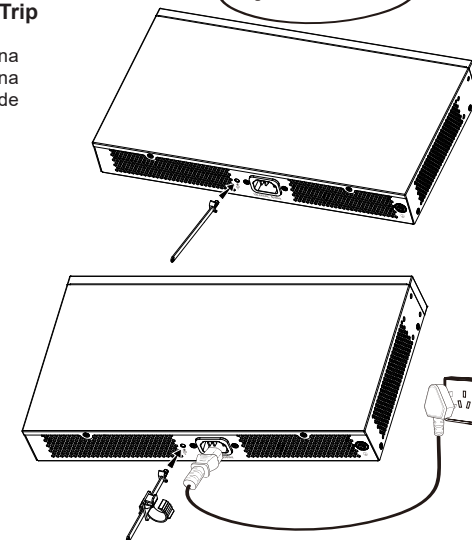
Conecte primero el cable de alimentación al Switch, luego conecte el cable de alimentación al sistema de alimentación de la sala de equipos.



### Conexión del cable de alimentación Anti-Trip

Para proteger la fuente de alimentación de una desconexión accidental, Se recomienda utilizar una unidad de fijación para la instalación del cable de alimentación.

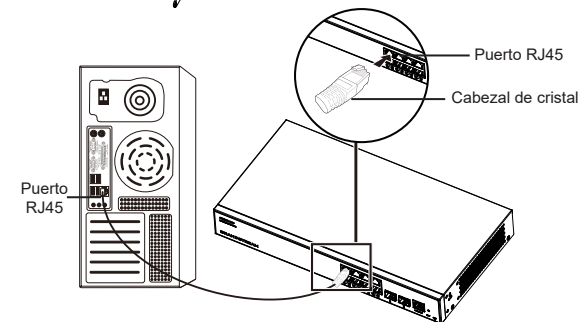
1. Introduzca a la fuerza la cabeza de la correa de fijación en el orificio junto a la toma de corriente hasta que se abra en la carcasa sin que se caiga.
2. Después de conectar el cable de alimentación en el tomacorriente, deslice el protector sobre la correa restante hasta que se deslice sobre el extremo del cable de alimentación.
3. Envuelva la correa del cable protector alrededor del cable de alimentación y asegúrelo firmemente. Ajuste las correas hasta que el cable de alimentación quede bien sujeto.



## CONEXIÓN DE PUERTO

### Conexión al puerto RJ45

1. Conecte un extremo del cable de red al Switch y el otro extremo al dispositivo final.
2. Después del encendido, verifique el estado del indicador del puerto. Si está encendido, significa que el enlace está conectado normalmente; si está apagado, significa que el enlace está desconectado, verifique que el cable y que el dispositivo final este activo.

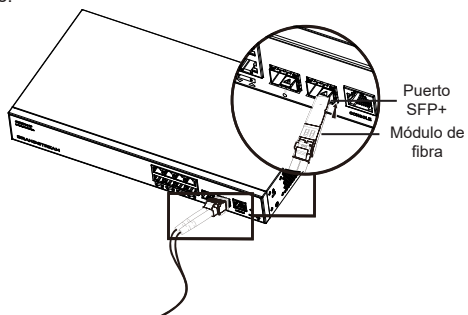




## Conectar al puerto SFP+

El proceso de instalación del módulo de fibra es el siguiente:

1. Sujete el módulo de fibra por un lado e insértelo suavemente a lo largo de la ranura del puerto SFP+ del Switch hasta que el módulo cierre el contacto
2. Al conectar, preste atención a los puertos Rx y Tx del módulo de fibra SFP+. Inserte un extremo de la fibra en los puertos Rx y Tx correspondientes y conecte el otro extremo al dispositivo final.
3. Después del encendido, verifique el estado del indicador del puerto. Si está encendido, significa que el enlace está conectado normalmente; si está apagado, significa que el enlace está desconectado, verifique que el cable y que el dispositivo final este activo.

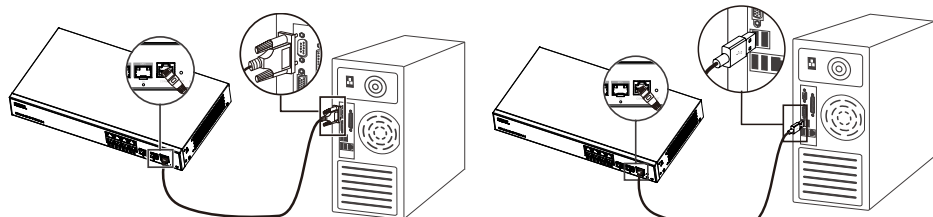


### Notas:

- Seleccione el cable de fibra óptica según el tipo de módulo. El módulo multimodo corresponde a la fibra óptica multimodo, y el módulo monomodo corresponde a la fibra óptica monomodo.
- Seleccione el cable de fibra óptica de la misma longitud de onda para la conexión.
- Seleccione un módulo óptico apropiado de acuerdo con la situación real de la red para cumplir con los diferentes requisitos de distancia de transmisión.
- El láser de los productos láser de primera clase es dañino para los ojos. No mire directamente al conector de fibra óptica.

## Conectar al puerto de la consola

1. Conecte el cable de la consola al puerto DB9 macho o puerto USB a la PC.
2. Conecte el otro extremo del cable de la consola (conector RJ45) al puerto de la consola del switch.



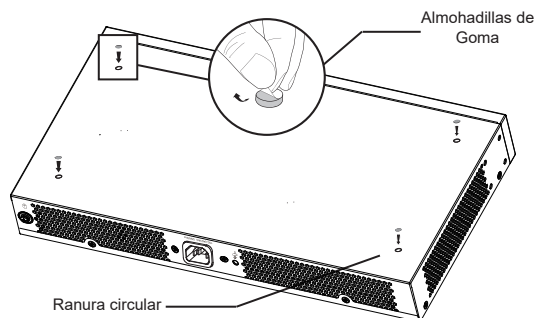
### Notas:

- Para realizar la conexión, deberá seguir los pasos en el orden indicado (1 -> 2). Se debe respetar el orden indicado.
- Para realizar la desconexión, deberá aplicar los pasos en el orden inverso (2 -> 1).

## INSTALACIÓN

### Instalación en Escritorio

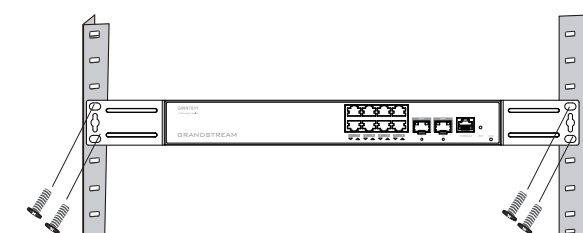
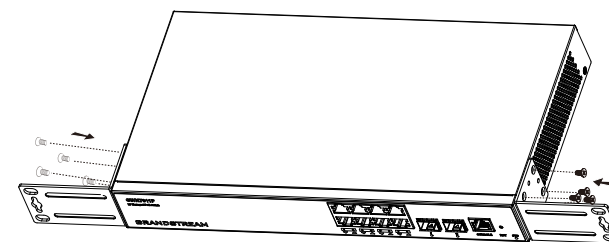
1. Coloque la parte inferior del Switch sobre una mesa lo suficientemente grande y estable.
2. Despegue el papel protector de goma de las cuatro almohadillas, una por una, y péguelas en las ranuras circulares correspondientes en las cuatro esquinas de la parte inferior de la caja.
3. Voltee el Switch y colóquelo suavemente sobre la mesa.



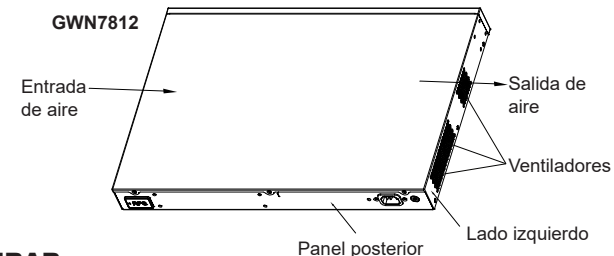
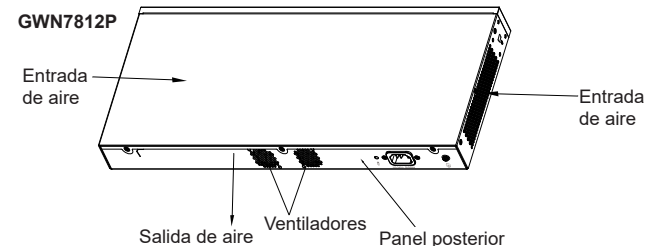
## Instalación en un rack estándar de 19"

**Nota:** El GWN7811(P) requiere los kits de montaje en rack extendidos.

1. Compruebe la puesta a tierra y la estabilidad del bastidor.
2. Instale los dos montajes en rack en forma de L incluidos a ambos lados del Switch y fíjelos con los tornillos proporcionados (KM 3\*6).
3. Coloque el Switch en la posición adecuada en el bastidor y apóyelo en el soporte.
4. Fije el montaje en rack en forma de L a las ranuras de guía en ambos extremos del rack con tornillos (preparados por usted mismo) para asegurarse de que el Switch esté instalado de manera estable y horizontal en el rack.



**Nota:** Para evitar altas temperaturas y mantener el dispositivo fresco, se debe dejar suficiente espacio alrededor del mismo para disipar el calor. La entrada de aire del switch no puede mirar o estar cerca de la salida de aire de otros dispositivos.

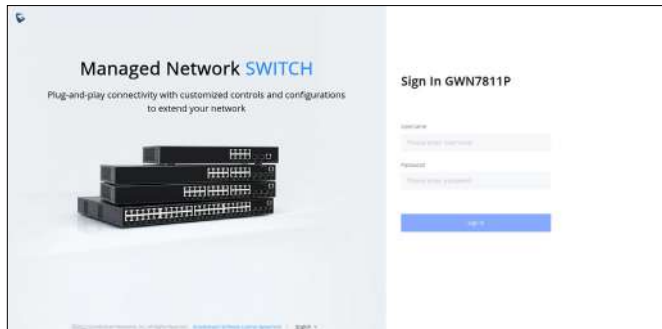


## ACCEDER Y CONFIGURAR

**Nota:** Si no hay ningún servidor DHCP disponible, la dirección IP predeterminada del GWN7810 es 192.168.0.254.

### Método 1: Iniciar sesión con la interfaz de usuario web

1. Use una PC para conectar correctamente a un puerto RJ45 a cualquiera del Switch usando un cable de red.
2. Establezca la dirección IP de Ethernet (o conexión local) de la PC en 192.168.0.x ("x" es cualquier valor entre 1 y 253), y la máscara de subred en 255.255.255.0, para que esté en el mismo segmento de red con la dirección IP del Switch. Si DHCP es utilizado, puede saltar este paso.
3. Escriba la dirección IP de administración predeterminada del Switch [http://<gwn7810\\_IP>](http://<gwn7810_IP>) en el navegador e ingrese el nombre de usuario y la contraseña para iniciar sesión (el nombre de usuario del administrador predeterminado es "admin" y la contraseña aleatoria predeterminada se puede encontrar en la etiqueta del Switch GWN7810).



### Método 2: Inicie sesión usando el puerto de la consola

1. Utilice el cable de la consola para conectar el puerto de la consola del Switch y el puerto serial de la PC.
2. Abra el programa de emulación de terminal de la PC (por ejemplo, SecureCRT), ingrese el nombre de usuario y la contraseña predeterminados para iniciar sesión. (El nombre de usuario predeterminado del administrador es "admin" y la contraseña aleatoria predeterminada se puede encontrar en la etiqueta del Switch GWN7810).

### Método 3: Iniciar sesión de forma remota mediante SSH/Telnet

1. Encienda el Telnet del Switch.
2. Ingrese "cmd" en PC/Inicio.
3. Ingrese "telnet <gwn7810\_IP>" en la ventana cmd.
4. Ingrese el nombre de usuario y la contraseña predeterminados para iniciar sesión (el nombre de usuario del administrador predeterminado es "admin" y la contraseña aleatoria predeterminada se puede encontrar en la etiqueta del Switch GWN7810).

### Método 4: Configurar usando GWN.Cloud / GWN Manager

Escriba <https://www.gwn.cloud> en el navegador e ingrese la cuenta y la contraseña para iniciar sesión en la plataforma en la nube. Si no tiene una cuenta, regístrese primero o solicite al administrador que le asigne una.

Los términos de licencia GNU GPL son incorporados en el firmware del dispositivo y puede ser accedido a través de la interfaz de usuario Web del dispositivo en [http\(s\)://IP/gpl\\_license](http(s)://IP/gpl_license) Para obtener un CD con la información del código fuente GPL, por favor, remita una solicitud escrita a [info@grandstream.com](mailto:info@grandstream.com)

Para obtener el manual de usuario, favor haga click aquí:  
<https://www.grandstream.com/our-products>

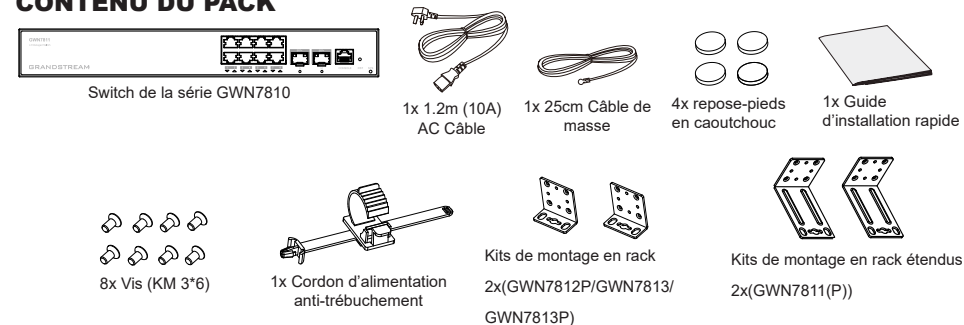
## FR PRESENTATION

La série GWN7810 sont des switches réseau gérés de couche 3 qui permettent aux moyennes et grandes entreprises de créer des réseaux d'entreprise évolutifs, sécurisés, hautes performances et intelligents entièrement gérables. Il prend en charge le VLAN avancé pour une segmentation du trafic flexible et sophistiquée, une qualité de service avancée pour la hiérarchisation du trafic réseau, la surveillance IGMP/MLD pour l'optimisation des performances du réseau et des capacités de sécurité complètes contre les attaques potentielles. Les modèles PoE fournissent une sortie PoE dynamique intelligente pour alimenter les téléphones IP, les caméras IP, les points d'accès Wi-Fi et d'autres points de terminaison PoE. La série GWN7810 peut être gérée de plusieurs façons, y compris l'interface utilisateur Web locale du switch de la série GWN7810 et CLI, l'interface de ligne de commande. La série est également prise en charge par GWN.Cloud et GWN Manager, la plate-forme de gestion de réseau cloud et sur site de Grandstream. La série GWN7810 est la gamme des switches réseau gérés de classe entreprise offrant le meilleur rapport qualité-prix pour les moyennes et grandes entreprises.

## PRECAUTIONS

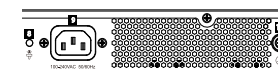
- Ne pas tenter d'ouvrir, de désassembler, ou de modifier le dispositif
- Ne pas exposer cet appareil à des températures situées hors de la plage de 0 °C à 45 °C en opération et -10 °C à 60 °C en stockage.
- Ne pas exposer le GWN7810 à des environnements en dehors de la plage d'humidité suivante : 10-90 % RH (sans condensation) en opération et 5-95 % RH (sans condensation) en stockage.
- Ne pas éteindre le GWN7810 pendant le démarrage du système ou la mise à jour du firmware. Cela risque de rompre l'image du firmware et en conséquence rendre l'unité inutilisable.

## CONTENU DU PACK

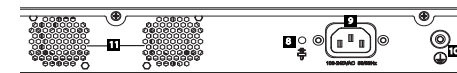
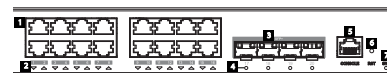


## PORTS ET INDICATEUR LED

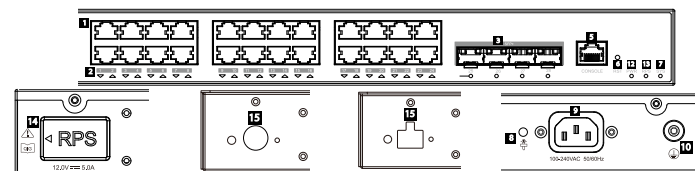
### GWN7811/GWN7811P



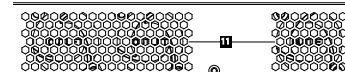
### GWN7812P







### GWN7813/GWN7813P



GWN7813 GWN7813P



GWN7813P Panneau latéral

No.	Port & LED	Description
1	GWN7811(P): Port 1-8 GWN7812P: Port 1-16 GWN7813(P): Port 1-24	Ethernet RJ45 (10/100/1000Mbps), utilisé pour connecter les terminaux. <b>Remarque:</b> Les ports Ethernet GWN7811P-GWN7812P-GWN7813P prennent en charge PoE et PoE+. Les ports 1 à 8 du GWN7813P prennent en charge PoE++.
2	GWN7811(P): 1-8 GWN7812P: 1-16 GWN7813(P): 1-24	Indicateurs LED des ports Ethernet
3	GWN7811(P): Port 9-10 GWN7812P: Port 17-20 GWN7813(P): Port 25-28	GWN7811(P): 2x ports SFP+ 10Gbps GWN7812P: 4x ports SFP+ 10Gbps GWN7813(P): 4x ports SFP+ 10Gbps
4	GWN7811(P): 9-10 GWN7812P: 17-20 GWN7813(P): 25-28	Indicateurs LED des ports SFP+
5	CONSOLE	1x port console, utilisé pour connecter un PC directement au switch et le gérer.
6	RST	Bouton de réinitialisation d'usine. Appuyez pendant 5 secondes pour réinitialiser les paramètres d'usine par défaut.
7	SYS	Indicateur LED du système
8		cordon d'alimentation trou anti-trébuchement
9	100-240VAC 50-60Hz	Prise de courant
10		Borne de mise à la terre
11	Ventilateur	GWN7812P: 2x ventilateurs   GWN7813P: 3x ventilateurs
12	PWR	Indicateur LED d'alimentation interne
13	RPS	Indicateur LED d'alimentation externe secondaire
14		Bouchon en caoutchouc pour alimentation externe
15		Prise de courant RPS externe

**Remarque :** RPS externe (alimentation redondante) est vendu séparément.

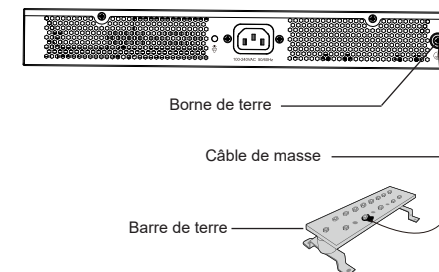
### Indicateur LED

Indicateur LED	Statut	Description
Indicateur de système	Off	Éteint
	Vert solide	Démarrage
	Vert clignotant	Mise à niveau
	Bleu solide	Utilisation normale
	Bleu clignotant	Approvisionnement
	Rouge Solide	Échec de la mise à niveau
	Rouge clignotant	Retour aux paramètres d'usine
Indicateur de port	Off	Pour tous les ports, port off & Pour les ports SFP+, échec de port
	Vert Solide	Le port est connecté et les données sont en cours de transfert
	Vert clignotant	Port Ethernet connecté et alimenté par PoE
	Jaune Solide	Ethernet port connected and PoE powered
	Jaune clignotant	Port Ethernet connecté, transfert de données et alimentation PoE
	Clignotant alternativement jaune et vert	Échec du port Ethernet
PWR/RPS Indicateur	Off	Inutilisé ou en panne
	Vert solide	Utilisé
	Rouge Solide	Surtension ou sous-tension

## ALIMENTATION ET CONNEXION

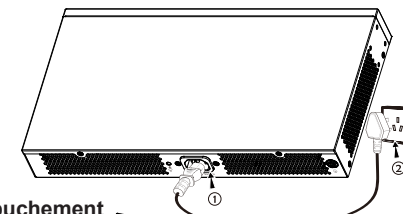
### Mise à la terre du Switch

1. Retirez la vis de terre à l'arrière du switch et connectez une extrémité du câble de terre à la borne de câblage du switch.
2. Remettez la vis de terre dans le trou de vis et serrez-la avec un tournevis.
3. Connectez l'autre extrémité du câble de terre à un autre appareil qui a été mis à la terre ou directement à la borne de la barre de terre dans le local technique



### Alimentation du Switch

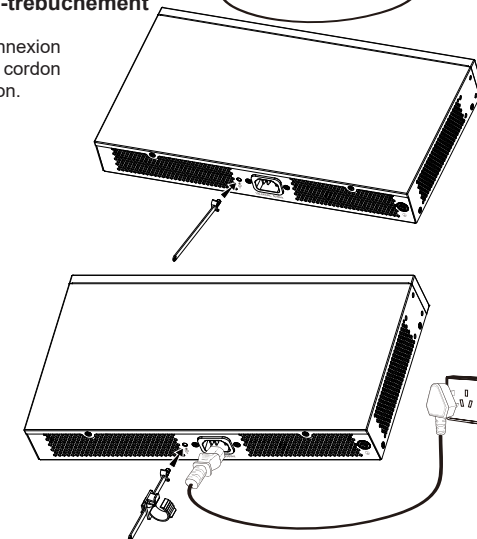
Connectez d'abord le câble d'alimentation et du switch, puis connectez le câble d'alimentation au système d'alimentation du local technique.



### Connexion du cordon d'alimentation anti-trébuchement

Afin de protéger l'alimentation contre une déconnexion accidentelle, il est recommandé d'utiliser un cordon d'alimentation anti-déclenchement pour l'installation.

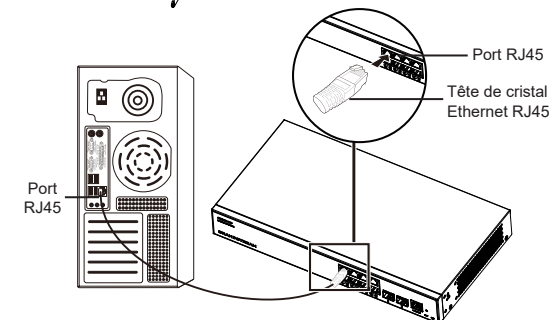
1. Forcez fermement la tête de la sangle de fixation dans le trou à côté de la prise de courant jusqu'à ce qu'elle soit bouclée sur la coque sans tomber.
2. Après avoir branché le cordon d'alimentation dans la prise de courant, faites glisser le protecteur sur la sangle restante jusqu'à ce qu'il glisse sur l'extrémité du cordon d'alimentation.
3. Enroulez la sangle du cordon de protection autour du cordon d'alimentation et verrouillez-le fermement. Attachez les sangles jusqu'à ce que le cordon d'alimentation soit solidement fixé.



## CONNECTER LES PORTS

### Connecter les ports RJ45

1. Connectez une extrémité du câble réseau au switch et l'autre extrémité au périphérique pair.
2. Après le démarrage, vérifiez l'état de l'indicateur de port. S'il est activé, cela signifie que le lien est connecté normalement ; s'il est éteint, cela signifie que le lien est déconnecté, veuillez vérifier si le câble et l'appareil pair sont activés.

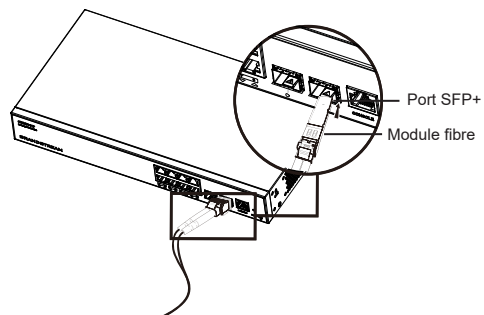




## Connecter les ports SFP+

Le processus d'installation du module fibre est le suivant :

1. Saisissez le module fibre par le côté et insérez-le doucement le long de l'emplacement du port SFP+ du switch jusqu'à ce que le module soit en contact étroit avec le switch.
2. Lors de la connexion, veillez à confirmer les ports Rx et Tx du module fibre SFP+. Insérez une extrémité de la fibre dans les ports Rx et Tx en conséquence, et connectez l'autre extrémité à un autre appareil.
3. Après la mise sous tension, vérifiez l'état de l'indicateur de port. Si activé, il signifie que le lien est connecté normalement ; si désactivé, cela signifie que le lien est déconnecté, veuillez vérifier le câble et l'appareil pair si est autorisé.

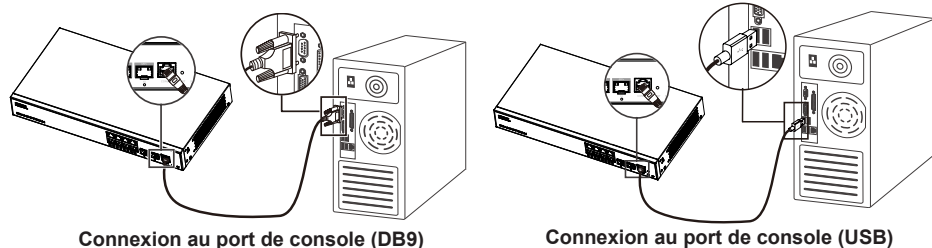


### Remarques:

- Veuillez sélectionner le câble à fibre optique en fonction du type de module. Le module multimode correspond à la fibre optique multimode, et le module monomode correspond à la fibre optique monomode.
- Veuillez sélectionner le même câble à fibre optique de longueur d'onde pour la connexion.
- Veuillez sélectionner un module optique approprié en fonction de la situation réelle du réseau pour répondre aux différentes exigences de distance de transmission.
- Le laser des produits laser de première classe est nocif pour les yeux. Ne regardez pas directement le connecteur de la fibre optique.

## Connecter le port console

1. Connectez le câble de la console (préparé par vous-même) au connecteur mâle DB9 ou au port USB du PC.
2. Connectez l'autre extrémité du câble RJ45 au port console du Switch.



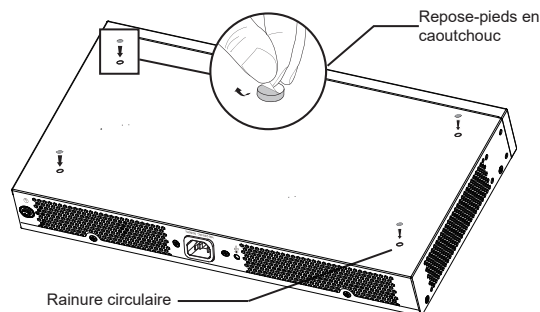
### Remarques:

- Pour se connecter, l'ordre des étapes (1 -> 2) doit être respecté.
- Pour déconnecter, l'ordre des étapes est inversé (2 -> 1).

## INSTALLATION

### Installer sur le bureau

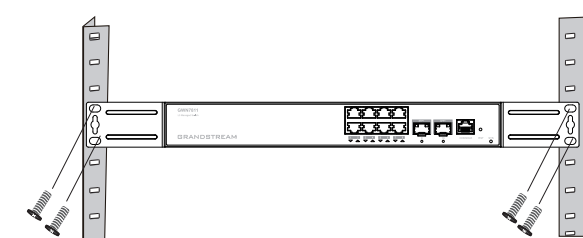
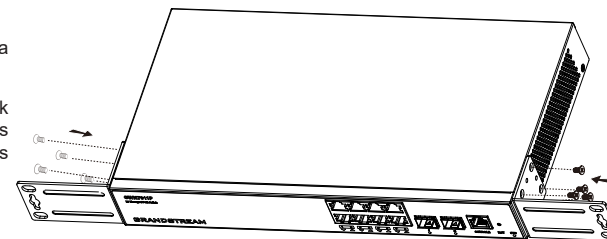
1. Placez le bas du switch sur une table suffisamment grande et stable.
2. Décollez un par un le papier de protection en caoutchouc des quatre patins et collez-les dans les rainures circulaires correspondantes aux quatre coins du bas du boîtier.
3. Retournez le switch et placez-le doucement sur la table.



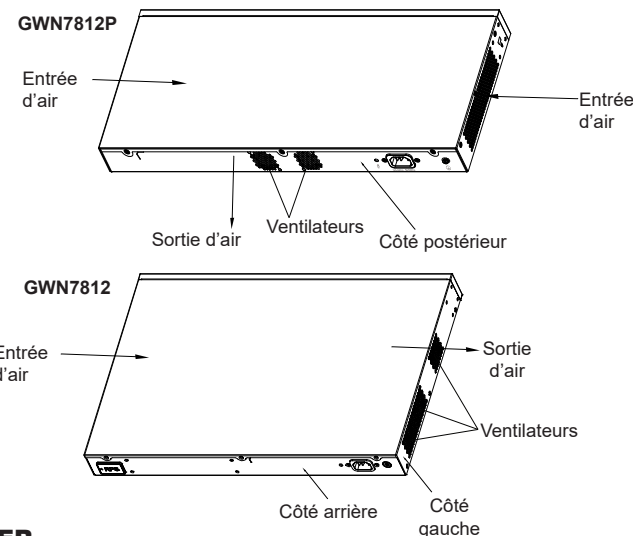
## Installer sur un rack standard 19"

**Remarque :** GWN7811(P) nécessite les kits de montage en rack étendus.

1. Vérifiez la mise à la terre et la stabilité du rack.
2. Installez les deux montages en rack en forme de L dans les accessoires des deux côtés du switch et fixez-les avec les vis fournies (KM 3\*6).
3. Placez le switch dans une position appropriée dans le rack et soutenez-le par le support.
4. Fixez le montage en rack en forme de L aux rainures de guidage aux deux extrémités du rack avec des vis (préparées par vous-même) pour vous assurer que le switch est installé de manière stable et horizontale sur le rack.



**Remarque:** Pour éviter les températures élevées et maintenir l'appareil au frais, un espace suffisant doit être laissé autour du commutateur pour la dissipation de la chaleur. L'entrée d'air du commutateur ne peut pas faire face ou être proche de la sortie d'air d'autres appareils.

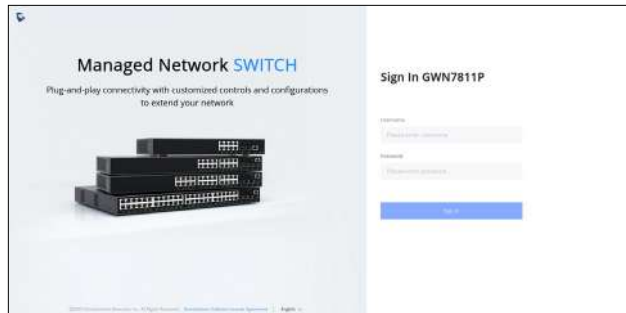


## ACCÉDER & CONFIGURER

**Remarque:** Si aucun serveur DHCP n'est disponible, l'adresse IP par défaut du GWN7810 est 192.168.0.254.

### Méthode 1 : connexion à l'aide de l'interface utilisateur Web

1. Un PC utilise un câble réseau pour connecter correctement n'importe quel port RJ45 du switch.
2. Définissez l'adresse IP Ethernet (ou de connexion locale) du PC sur 192.168.0.x ("x" est une valeur comprise entre 1 et 253) et le masque de sous-réseau sur 255.255.255.0, de sorte qu'il se trouve dans le même segment de réseau avec l'adresse IP du switch. Si DHCP est utilisé, cette étape peut être ignorée.
3. Tapez l'adresse IP de gestion par défaut du switch [http://<gwn7810\\_IP>](http://<gwn7810_IP>) dans le navigateur, puis entrez le nom d'utilisateur et le mot de passe pour vous connecter (le nom d'utilisateur par défaut de l'administrateur est "admin" et le mot de passe aléatoire par défaut se trouve sur l'autocollant du switch GWN7810).



### Méthode 2 : connexion à l'aide de l'interface du port de la console

1. Utilisez le câble de console pour connecter le port de console du switch et le port série du PC.
2. Ouvrez le programme d'émulation de terminal du PC (par exemple SecureCRT), entrez le nom d'utilisateur et le mot de passe par défaut pour vous connecter. (Le nom d'utilisateur par défaut de l'administrateur est "admin" et le mot de passe aléatoire par défaut se trouve sur l'autocollant du switch GWN7810).

### Méthode 3 : Connexion à distance à l'aide de SSH/Telnet

1. Activez le Telnet du switch.
2. Entrez "cmd" dans PC/Démarrer.
3. Entrez "telnet <gwn7810\_IP>" dans la fenêtre cmd
4. Entrez le nom d'utilisateur et le mot de passe par défaut pour vous connecter (le nom d'utilisateur par défaut de l'administrateur est "admin" et le mot de passe aléatoire par défaut se trouve sur l'autocollant du switch GWN7810).

### Méthode 4 : Configurer à l'aide de GWN.Cloud/GWN Manager

Tapez <https://www.gwn.cloud> dans le navigateur, puis entrez le compte et le mot de passe pour vous connecter à la plateforme cloud. Si vous n'avez pas de compte, veuillez d'abord vous inscrire ou demander à l'administrateur de vous en attribuer un.

Les termes de la licence GNU GPL sont incorporés dans le micrologiciel dupériphérique et sont accessibles via l'interface utilisateur Web du périphérique à l'adresse [http\(s\)://IP/gpl\\_license](http(s)://IP/gpl_license). Pour obtenir un CD contenant les informations du code source GPL, veuillez envoyer une demande écrite à [info@grandstream.com](mailto:info@grandstream.com)

Pour plus de détails, veuillez consulter le manuel d'utilisation sur: <https://www.grandstream.com/our-products>

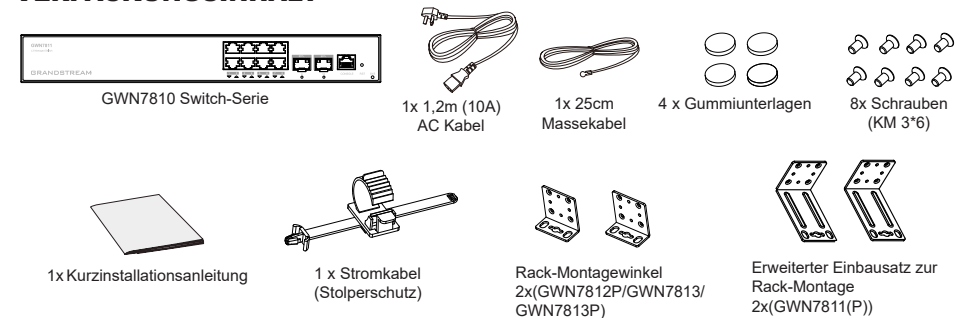
## DE ÜBERSICHT

Die GWN7810-Serie sind gemanagte Layer-3-Netzwerk-Switches, mit denen mittlere bis große Unternehmen skalierbare, sichere, leistungsstarke und intelligente Unternehmensnetzwerke aufbauen können, die komplett verwaltbar sind. Die Geräte unterstützen erweiterte VLAN's für eine flexible und intelligente Verkehrssegmentierung, erweitertes QoS zur Priorisierung des Netzwerkverkehrs, IGMP/MLD-Snooping für die Optimierung der Netzwerkleistung und umfassende Sicherheitsfunktionen gegen potenzielle Angriffe. Die PoE-Modelle bieten eine intelligente und dynamische PoE-Stromversorgung für IP-Telefone, IP-Kameras, WLAN-AccessPoints und anderen PoE-Endgeräten. Die GWN7810-Serie kann auf verschiedene Arten verwaltet werden, einschließlich der lokalen Web-Benutzeroberfläche des Switches der GWN7810-Serie sowie der CLI Konsole-Schnittstelle. Die Serie wird auch von GWN.Cloud und GWN Manager, der Cloud- und On-Premise-Netzwerkverwaltungsplattform von Grandstream, unterstützt. Die GWN7810-Serie bietet ein hervorragendes Preis-Leistungsverhältnis für leistungsstarke, gemanagte Switches zum Einsatz bei mittleren und großen Unternehmen und Organisationen.

## SICHERHEITSHINWEISE

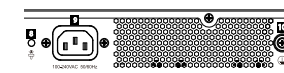
- Das Produkt darf nicht geöffnet, zerlegt oder verändert werden.
- Bitte beachten Sie die zulässigen Temperaturbereiche für Nutzung (0°C bis 45 °C) und Lagerung (-10 °C bis 60 °C).
- Das Produkt darf nur in Umgebungen mit einem relativen Luftfeuchtebereichs von 10% bis 90% (nicht kondensierend) genutzt werden für Nutzung 5% bis 95% (nicht kondensierend).
- Die Stromversorgung darf während des Start- bzw. Upgradevorgangs nicht unterbrochen werden. Dies kann die Firmware beschädigen und zu unerwünschten Fehlfunktionen führen

## VERPACKUNGSMATERIAL

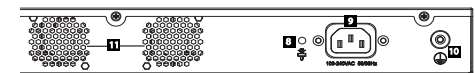
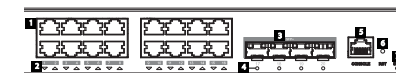


## PORTS & LED INDIKATOR

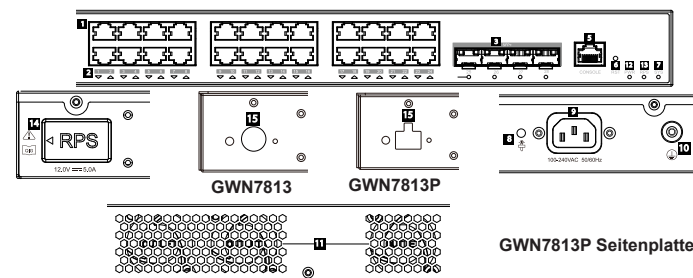
### GWN7811/GWN7811P







### GWN7812P



### GWN7813/GWN7813P



Nr.	Port & LED	Beschreibung
1	GWN7811(P): Port 1-8 GWN7812P: Port 1-16 GWN7813(P): Port 1-24	Ethernet RJ45 (10/100/1000Mbps), für den Anschluß von Endgeräten. <b>Hinweis:</b> GWN7811P-GWN7812P-GWN7813P Ethernet Ports unterstützen PoE und PoE+. GWN7813P Ports 1-8 unterstützen PoE++.
2	GWN7811(P): 1-8 GWN7812P: 1-16 GWN7813(P): 1-24	LED Indikatoren der Ethernet Ports
3	GWN7811(P): Port 9-10 GWN7812P: Port 17-20 GWN7813(P): Port 25-28	GWN7811(P): 2x 10GBits SFP+ ports GWN7812P: 4x 10GBits SFP+ ports GWN7813(P): 4x 10GBits SFP+ ports
4	GWN7811(P): 9-10 GWN7812P: 17-20 GWN7813(P): 25-28	LED Indikatoren der SFP+ Ports
5	CONSOLE	Ein Konsole-Port für den direkten Anschluß eines PC's zur Administration des Switches
6	RST	Werkseinstellungen zurücksetzen. 5 Sekunden lang drücken, um die Werkseinstellungen zurückzusetzen.
7	SYS	System LED Indikator
8		Netzkabel mit Stolperschutz-Montagemöglichkeit
9	100-240VAC 50-60Hz	Stromanschluß
10		Massegehäuse
11	Lüfter	GWN7812P: 2x Lüfter   GWN7813P: 3x Lüfter
12	PWR	LED Indikator für das interne Netzteil
13	RPS	LED Indikator für das externe Netzteil
14		Gummistecker für das externe Stromkabel
15		Ausgang für das externe RPS Kabel

**Anmerkung:** Eine externe redundante Stromversorgung (RPS) ist separat erhältlich.

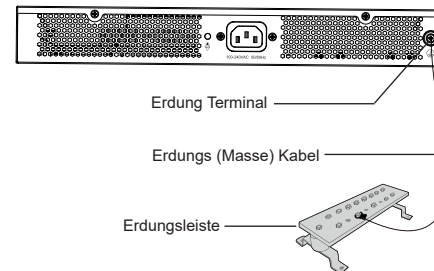
#### LED Indikator

LED Indikator	Status	Beschreibung
System Indikator	Off	Power off
	Permanent grün	Starten
	Grün blinkend	Upgrade
	Permanent blau	Normale Nutzung
	Blau blinkend	Provisionierung
	Permanent Rot	Upgrade fehlgeschlagen
	Rot blinkend	Auf Werkseinstellung zurücksetzen
Port Indikator	Off	Für alle Ports, Ports aus & Für SFP+ Ports, Port-Fehlfunktion
	Permanent grün	Der Port ist verbunden, ohne Aktivität
	Grün blinkend	Der Port ist verbunden, Datenübertragung ist aktiv
	Permanent gelb	Ethernetport verbunden, Stromversorgung via PoE
	Gelb blinkend	Ethernetport verbunden, Stromversorgung via PoE, Datenübertragung aktiv
	Alternativ grün und gelb blinkend	Fehlfunktion am Ethernetport
PWR/RPS Indikator	Off	Nicht in Gebrauch oder Fehler
	Permanent grün	In Gebrauch
	Permanent Rot	Über- oder Unterspannung

## STROMVERSORGUNG & ANBINDUNG

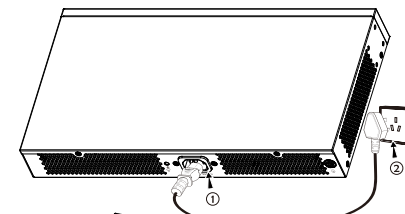
### Erdung des Switches

- Lösen Sie die Schraube zur Befestigung des Massekabels an der Switch-Rückseite und führen Sie das Massekabel zur Befestigung.
- Drehen Sie die Schraube wieder ein - ziehen Sie die Schraube mit einem Schraubendreher fest.
- Befestigen Sie das andere Ende des Massekabels am allgemeinen Masseanschluss (Erdung) im Raum



### Stromversorgung des Switches

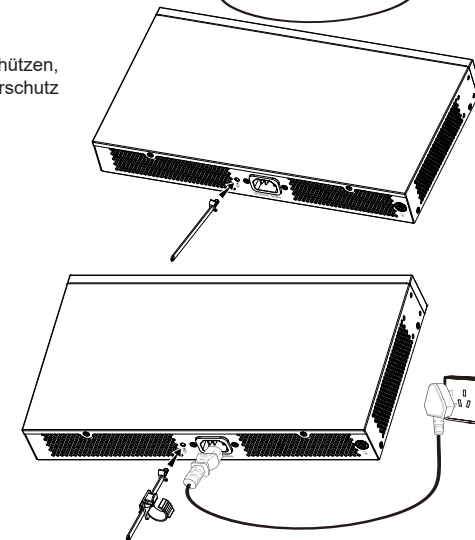
Schließen Sie zuerst das Netzkabel am Switch an, anschließend verbinden Sie das Netzkabel mit der Steckdose des Geräteraums.



### Stromversorgung mit Stolperschutz

Um das Netzteil vor versehentlichen Trennen zu schützen, wird empfohlen, für die Installation wird ein Stolperschutz dringend empfohlen.

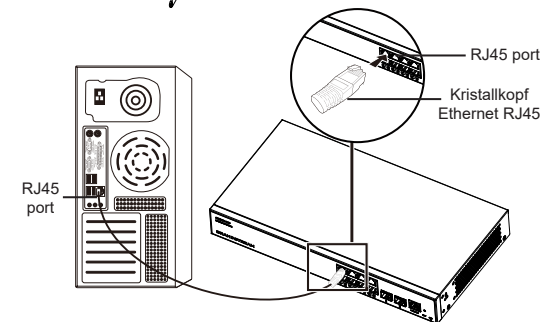
- Drücken Sie die Nase des Befestigungsgurtes fest in das Loch neben der Steckdose ohne das dieser herunterfällt.
- Nachdem Sie das Netzkabel in die Steckdose gesteckt haben, schieben Sie den Protaktor über den verbleibenden Streifen, bis er über das Ende des Netzkabels gleitet.
- Wickeln Sie das Befestigungsband des Schutzkabels um das Netzkabel und befestigen Sie es.



## PORT ANBINDUNG

### Anbindung am RJ45 Port

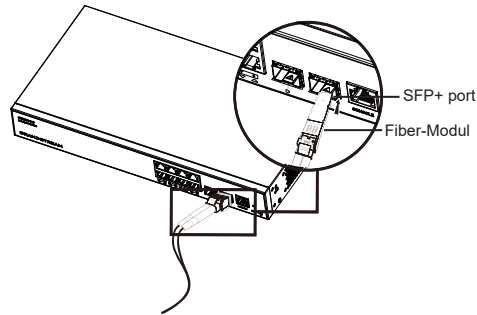
- Stecken Sie das Netzkabel in die Netzwerkbuchse am Switch, anschließend das andere Ende in die Netzwerkbuchse des Endgerätes
- Überprüfen Sie nach dem Einschalten den Status des Port-Indikators. Ist dieser aktiv, dann ist die Anbindung normal verbunden ; Ist dieser inaktiv, dann ist die Verbindung getrennt. Bitte überprüfen Sie das Kabel des angeschlossenen Geräts, ob es eingeschaltet ist.



## Anbindung am SFP+ Port

Bitte folgen Sie diesen Installationsschritten:

1. Nehmen Sie das Glasfasermodul an der Seite und führen Sie es langsam entlang des SFP+ Port-Steckplatzes des Switches ein bis das Modul engen Kontakt mit dem Switch hat.
2. Beachten Sie beim Anschließen die Rx- und Tx-Ports des SFP+ Glasfasermoduls richtig zuzuordnen. Stecken Sie ein Ende der Faser entsprechend in die Rx- und Tx-Ports und verbinden Sie das andere Ende mit einem anderen Gerät.
3. Überprüfen Sie nach dem Einschalten den Status des Port-Indikators. Ist dieser aktiv, dann ist die Anbindung normal verbunden ; Ist dieser inaktiv, dann ist die Verbindung getrennt. Bitte überprüfen Sie das Kabel des angeschlossenen Geräts, ob es eingeschaltet ist.

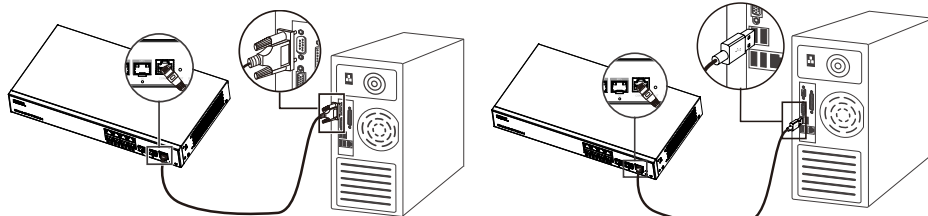


## Bemerkung:

- Bitte wählen Sie das Lichtwellenleiterkabel entsprechend dem Modultyp aus. Das Multimode-Modul entspricht der optischen Multimode-Faser, und das Singlemode-Modul entspricht der optischen Singlemode-Faser
- Bitte wählen Sie für die Verbindung ein Glasfaserkabel mit der gleichen Wellenlänge.
- Bitte wählen Sie ein geeignetes optisches Modul entsprechend der tatsächlichen Netzwerksituation aus, um unterschiedliche Anforderungen an die Übertragungsentfernung zu erfüllen.
- Ein Klasse-1 Laserprodukt ist schädlich für die Augen. Blicken Sie nicht direkt auf den Glasfaseranschluss.

## Anbindung über den Konsole-Port

1. Verbinden Sie das Konsole-Kabel (selbst zubereitet) mit dem DB9 Stecker und den USB Port am PC.
2. Verbinden Sie das andere Ende des Konsole-Kabels mit dem Konsole-Port am Switch.



Anbindung über den Konsole-Port (DB9)

Anbindung über den Konsole-Port (USB)

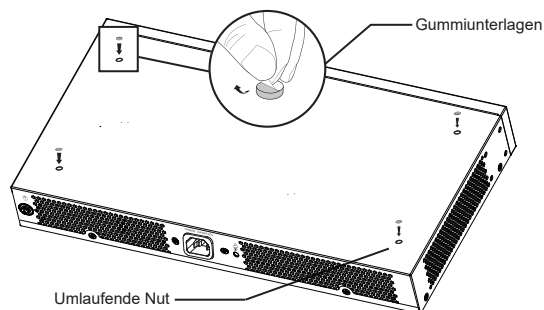
## Hinweis:

- Zur Anbindung beachten Sie bitte die Reihenfolge wie unter 1 und 2 erwähnt vor.
- Zum beenden der Anbindung gehen Sie bitte in umgekehrter Reihenfolge vor.

## INSTALLATION

### Installation am Desktop

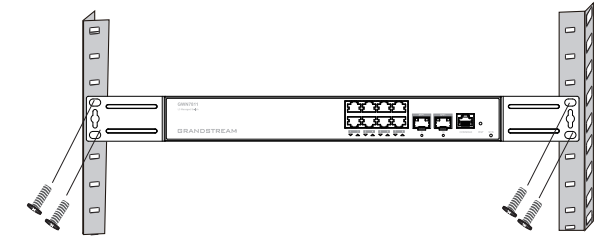
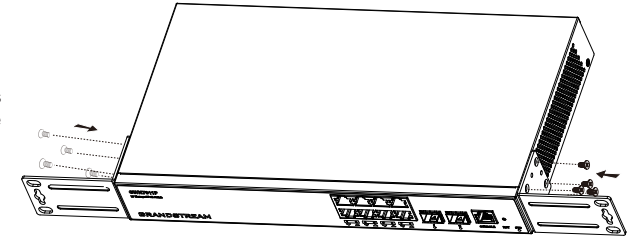
1. Stellen Sie den Switch auf einen ausreichend großen und stabilen Tisch.
2. Ziehen Sie das Schutzpapier der vier GummifüÙe ab und kleben Sie diese in die entsprechenden kreisförmigen Rillen an den vier Ecken der Unterseite des Gehäuses.
3. Drehen Sie den Switch um und legen Sie ihn auf den Tisch.



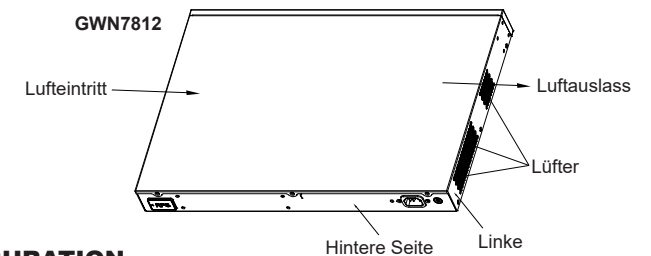
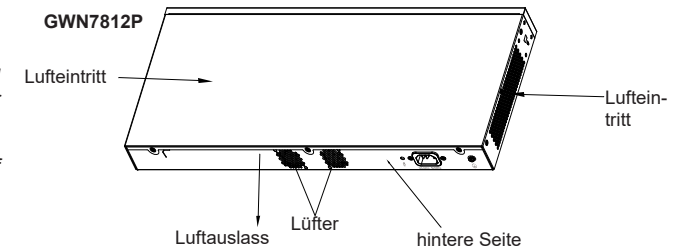
## Im 19" Schrank installieren

**Hinweis:** Der GWN7811(P) benötigt den erweiterten Einbausatz zur Rack-Montage.

1. Stellen Sie sicher, dass der Geräteschrank sicher steht
2. Installieren Sie die beiden L-förmigen Gerätehalterungen im Zubehör auf beiden Seiten des Switches und befestigen Sie diese mit den mitgelieferten Schrauben (M 3x6).
3. Befestigen Sie den Switch an der gewünschten Stelle des Schrankes, nutzen Sie dazu die Montagewinkel.
4. Befestigen Sie die L-förmige Rack-Montage mit Schrauben (nicht im Lieferumfang enthalten) an den Führungsnuten an beiden Enden des Racks, um sicherzustellen, dass der Switch stabil und horizontal im Rack installiert ist.



**Hinweis:** Um hohe Temperaturen zu vermeiden und das Gerät kühl zu halten, sollte um den Schalter herum ausreichend Platz für die Wärmeableitung gelassen werden. Der Lufterlass des Schalters darf nicht gegenüber oder in der Nähe des Luftauslasses anderer Geräte sein.



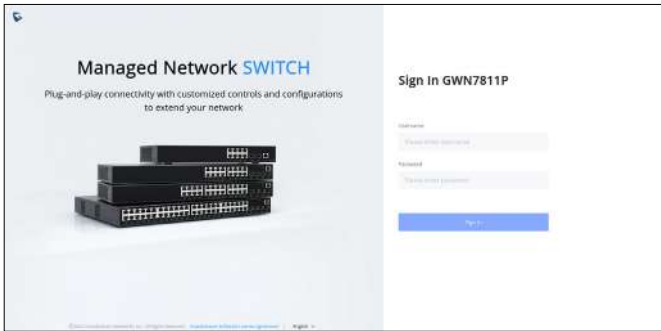
## ZUGANG & KONFIGURATION

**Hinweis:** Ist kein DHCP-Server vorhanden, fällt die GWN7810 IP-Adresse 192.168.0.254 zurück.

### Methode 1: Anmeldung über die Webschnittstelle

1. Der PC wird über ein Netzkabel an den RJ45 Port des Switches angeschlossen.
2. Stellen Sie die Ethernet-IP-Adresse (oder lokale Verbindung) des PCs auf 192.168.0.x ("x" ist ein beliebiger Wert zwischen 1-253) und die Subnetzmaske auf 255.255.255.0 ein, sodass er sich im selben Netzwerksegment befindet mit Switch-IP-Adresse. Wenn DHCP verwendet wird, kann dieser Schritt übersprungen werden.
3. Geben Sie die standardmäßige Verwaltungs-IP-Adresse des Switches [http://<gwn7810\\_IP>](http://<gwn7810_IP>) in den Browser ein und geben Sie den Benutzernamen und das Passwort ein, um sich anzumelden (der standardmäßige AdministratorBenutzername ist „admin“ und das zufällige Standardpasswort finden Sie auf dem Aufkleber auf den GWN7810-Switch).





### Methode 2: Anmeldung über die der Konsolenport

1. Nutzen Sie das Konsole Kabel, stecken Sie dieses an den seriellen Port des PC´s und an den Console Port des Switches.
2. Öffnen Sie das Terminal-Emulationsprogramm des PCs (z. B. SecureCRT), geben Sie den Standardbenutzernamen und das Standardpasswort ein, um sich anzumelden. (Der standardmäßige Benutzername des Administrators lautet „admin“, und das zufällige Standardkennwort finden Sie auf dem Aufkleber auf den GWN7810-Switch).

### Methode 3: Remote-Anmeldung via SSH/Telnet

1. Aktivieren Sie Telnet am Switch.
2. Geben Sie **“cmd”** am PC/Start ein.
3. Geben Sie **“telnet <gwn7810\_IP>”** in das cmd Fenster ein.
4. Geben Sie den Standard-Benutzernamen und das Passwort ein, um sich anzumelden (Der Standard-Administrator-Benutzername ist „admin“ und das Standard-Zufallspasswort finden Sie auf dem Aufkleber auf den GWN7810-Switch).

### Methode 4: Konfiguration via GWN.Cloud / GWN Manager

Geben Sie <https://www.gwn.cloud> in den Browser ein und geben Sie das Konto und das Passwort ein, um sich bei der Cloud-Plattform anzumelden. Wenn Sie kein Konto haben, registrieren Sie sich bitte zuerst oder bitten Sie den Administrator, Ihnen eins zuzuweisen.

Die GNU GPL Lizenz ist in der Gerätesoftware hinterlegt und kann über die Web-Schnittstelle unter my\_device\_ip/gpl\_license (Endgerät\_ip/gpl\_Lizenz aufgerufen werden. Die Lizenz ist ebenfalls abrufbar unter <http://www.grandstream.com/legal/open-source-software>. Um eine CD mit der Lizenz zu erhalten, senden Sie uns bitte eine Email an [info@Grandstream.com](mailto:info@Grandstream.com)

Das ausführliche Benutzerhandbuch kann geladen werden von:  
<https://www.grandstream.com/our-products>

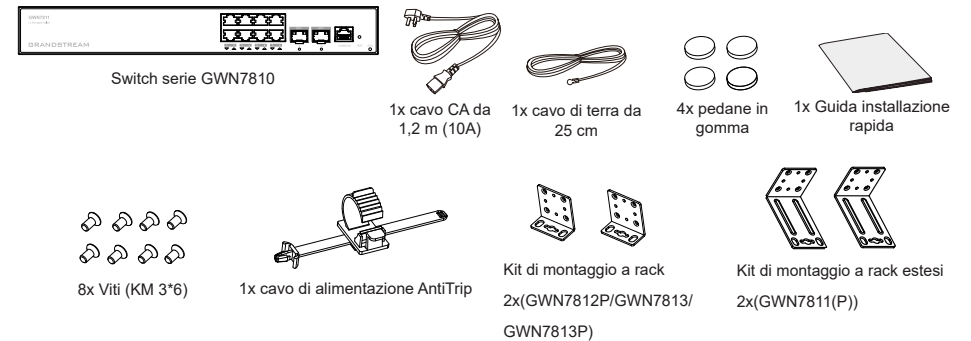
## IT PANORAMICA

La serie GWN7810 è costituita da switch di rete gestiti Layer 3 che consentono alle medie e grandi imprese di creare reti aziendali completamente gestibili scalabili, sicure, ad alte prestazioni e intelligenti. Supporta VLAN avanzate per una segmentazione del traffico flessibile e sofisticata, QoS avanzato per la prioritizzazione del traffico di rete, snooping IGMP/MLD per l'ottimizzazione delle prestazioni di rete e funzionalità di sicurezza complete contro potenziali attacchi. I modelli PoE forniscono un'uscita PoE dinamica e intelligente per alimentare telefoni IP, telecamere IP, punti di accesso Wi-Fi e altri endpoint PoE. La serie GWN7810 può essere gestita in diversi modi, inclusa l'interfaccia utente Web locale dello switch serie GWN7810 e la CLI, l'interfaccia a riga di comando. La serie è supportata anche da GWN.Cloud e GWN Manager, la piattaforma di gestione di rete cloud e in locale di Grandstream. La serie GWN7810 è il miglior switch di rete gestito di livello enterprise per le medie e grandi imprese.

### PRECAUZIONI

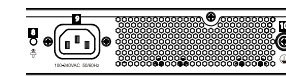
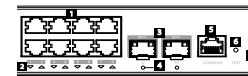
- Non tentare di aprire, smontare o modificare il dispositivo.
- Non esporre il dispositivo a temperature esterne alla gamma da 0 °C a 45 °C per il funzionamento e alla gamma da -10 °C a 60°C per la conservazione.
- Non esporre GWN7810 ad ambienti fuori dal seguente intervallo di umidità: 10-90% UR (senza condensa) e 5-95% UR (senza condensa) per la conservazione.
- Non spegnere/accendere il GWN7810 durante l'avvio del sistema o l'aggiornamento del firmware. Ciò potrebbe comportare il danneggiamento del firmware e il malfunzionamento dell'unità.

### CONTENUTO DELLA CONFEZIONE

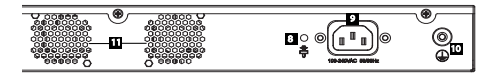
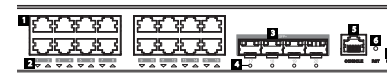


### Indicatore PORTE e LED

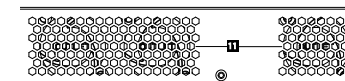
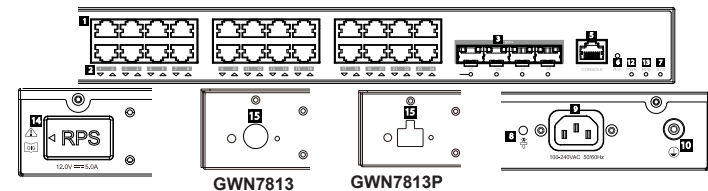
#### GWN7811/GWN7811P







#### GWN7812P



#### GWN7813/GWN7813P



GWN7813P Pannello laterale

N°	Porta e LED	Descrizione
1	GWN7811(P): Port 1-8 GWN7812P: Port 1-16 GWN7813(P): Port 1-24	Cavi Ethernet RJ45 (10/100/1000 Mbps), utilizzati per il collegamento dei terminali. <b>Nota:</b> Le porte Ethernet GWN7811P-GWN7812P-GWN7813P supportano PoE e PoE+. Supporto PoE++ delle porte 1-8 di GWN7813P.
2	GWN7811(P): 1-8 GWN7812P: 1-16 GWN7813(P): 1-24	Indicatori LED delle porte Ethernet
3	GWN7811(P): Port 9-10 GWN7812P: Port 17-20 GWN7813(P): Port 25-28	GWN7811(P): 2x porte SFP+ da 10 Gbps GWN7812P: 4x porte SFP+ da 10 Gbps GWN7813(P): 4x porte SFP+ da 10 Gbps
4	GWN7811(P): 9-10 GWN7812P: 17-20 GWN7813(P): 25-28	SFP+ ports' LED indicators
5	CONSOLE	1x Porta della console, utilizzata per collegare un PC direttamente allo switch e gestirlo.
6	RST	Pulsante di ripristino delle impostazioni di fabbrica. Premere per 5 secondi per ripristinare le impostazioni predefinite di fabbrica
7	SYS	Indicatore LED di sistema
8		Foro anti-trip del cavo di alimentazione
9	100-240VAC 50-60Hz	Presse di corrente
10		Terminale di terra
11	Ventola	GWN7812P: 2x Ventole   GWN7813P: 3x Ventole
12	PWR	Indicatore LED dell'alimentatore interno
13	RPS	Indicatore LED dell'alimentatore esterno secondario
14		Spina in gomma dell'alimentatore esterno
15		Prese di corrente RPS esterno

**Nota:** l'alimentazione ridondante (RPS) esterna è venduta separatamente.

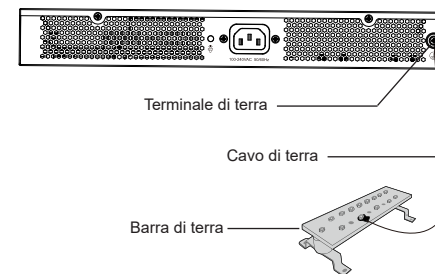
#### Indicatore LED

Indicatore LED	Stato	Descrizione
Indicatore di sistema	Spento	Spento
	Verde fisso	Avvio
	Verde intermittente	Aggiornamento
	Blu fisso	Funzionamento normale
	Blu intermittente	Provisioning
	Rosso fisso	Aggiornamento non riuscito
	Rosso intermittente	Ripristino impostazioni di fabbrica
Indicatore di porta	Spento	<ul style="list-style-type: none"> <li>Per tutte le porte, porta spenta</li> <li>Per le porte SFP+, guasto della porta</li> </ul>
	Verde fisso	Porta connessa e nessuna attività
	Verde intermittente	Porta connessa e trasferimento di dati in corso
	Giallo fisso	Porta Ethernet collegata e alimentazione PoE
	Giallo intermittente	Porta Ethernet collegata, trasferimento dati in corso e alimentazione PoE
PWR/RPS Indicatore	Luce intermittente gialla e verde	Guasto della porta Ethernet
	Spento	Non in uso o errore
	Verde fisso	In uso
	Rosso fisso	Sovratensione o sottotensione

## ALIMENTAZIONE E COLLEGAMENTO

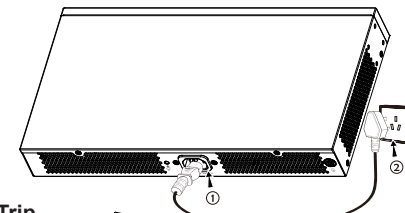
### Messa a terra dello switch

1. Rimuovere la vite di terra dal retro dello switch e collegare un'estremità del cavo di terra al terminale di cablaggio dello switch.
2. Rimettere la vite di terra nel foro e serrarla con un cacciavite.
3. Collegare l'altra estremità del cavo di terra a un altro dispositivo con messa a terra o direttamente al terminale della barra di terra nella sala apparecchiature.



### Accensione dello switch

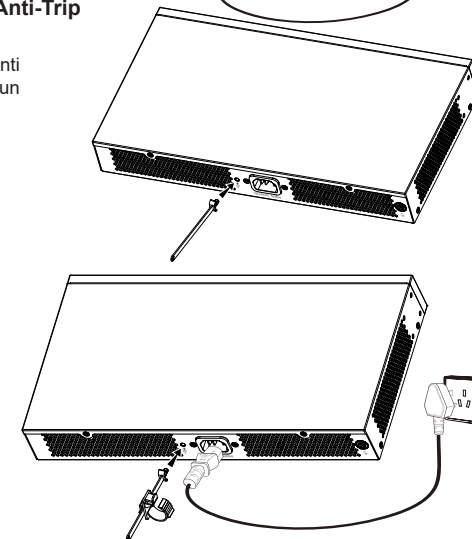
Collegare prima il cavo di alimentazione e lo switch, quindi collegare il cavo di alimentazione al sistema di alimentazione della sala apparecchiature.



### Collegamento del cavo di alimentazione Anti-Trip

Per proteggere l'alimentatore da scollegamenti accidentali, Per l'installazione, si consiglia l'uso di un cavo di alimentazione anti-trip.

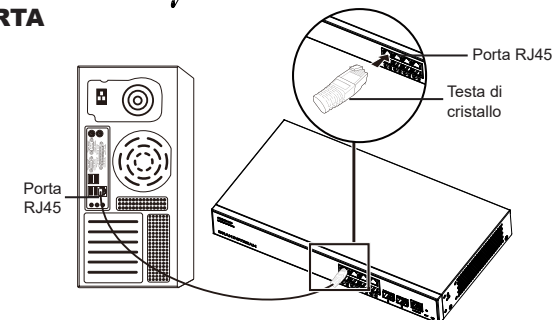
1. Forzare l'estremità della fascetta di fissaggio in modo serrato nel foro accanto alla presa di alimentazione fino all'inserimento sulla scocca, senza che cada.
2. Dopo aver inserito il cavo di alimentazione nella presa di corrente, far scorrere la protezione sulla parte di fascetta rimanente fino a farla scivolare sull'estremità del cavo di alimentazione.
3. Avvolgere la fascetta del cavo di protezione intorno al cavo di alimentazione e bloccarla saldamente. Fissare le fascette fino a quando il cavo di alimentazione è ben saldo.



## COLLEGAMENTO DELLA PORTA

### Collegarsi alla porta RJ45

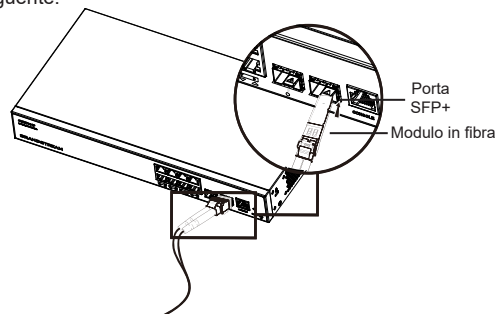
1. Collegare un'estremità del cavo di rete allo switch e l'altra al dispositivo peer.
2. Dopo l'accensione, verificare lo stato dell'indicatore della porta. Se è acceso, significa che il link è collegato normalmente; se è spento, significa che è scollegato, verificare che il cavo e il dispositivo peer siano abilitati.



## Collegarsi alla porta SFP+

Il processo di installazione del modulo in fibra è il seguente:

1. Afferrare il modulo in fibra dal lato e inserirlo senza problemi lungo lo slot della porta SFP+ dello switch finché il modulo non è a stretto contatto con lo switch.
2. Durante il collegamento, fare attenzione a confermare le porte Rx e Tx del modulo in fibra SFP+. Inserire un'estremità della fibra nelle porte Rx e Tx e collegare l'altra estremità a un altro dispositivo.
3. Dopo l'accensione, verificare lo stato dell'indicatore della porta. Se è acceso, significa che il link è collegato normalmente; se è spento, significa che è scollegato, verificare che il cavo e il dispositivo peer siano abilitati.

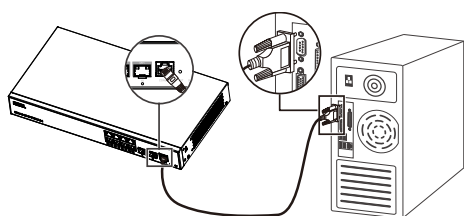


### Notas:

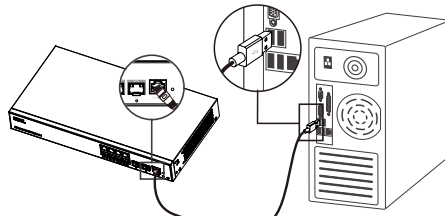
- Selezionare il cavo in fibra ottica in base al tipo di modulo. Il modulo multimodale corrisponde alla fibra ottica multimodale e il modulo monomodale corrisponde alla fibra ottica monomodale.
- Per il collegamento, selezionare un cavo in fibra ottica della stessa lunghezza d'onda.
- Selezionare un modulo ottico appropriato in base all'effettiva situazione di rete per soddisfare i diversi requisiti di distanza di trasmissione.
- Il laser dei prodotti con luce laser di prima classe è dannoso per gli occhi. Non guardare direttamente il connettore della fibra ottica.

## Collegarsi alla porta della console

1. Collegare il cavo console al connettore DB9 maschio o alla porta USB del PC.
2. Collegare l'altro capo RJ45 del cavo alla porta console dello switch.



Collegarsi alla porta della console (DB9)



Collegarsi alla porta della console (USB)

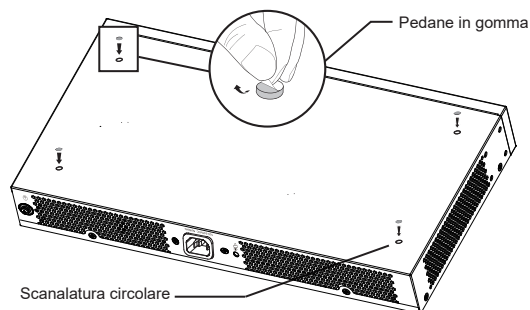
### Notas:

- Per connettersi, è necessario rispettare l'ordine dei passi di cui sopra (1 -> 2).
- Per disconnettersi, l'ordine dei passi è invertito (2 -> 1).

## INSTALLAZIONE

### Installare sul piano di un tavolo

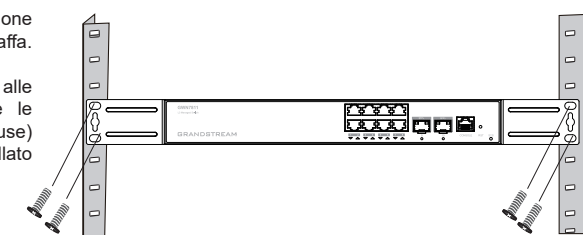
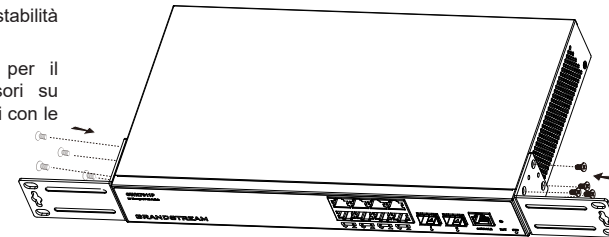
1. Posizionare la parte inferiore dello switch su un tavolo sufficientemente grande e stabile.
2. Staccare la carta protettiva in gomma dei quattro cuscinetti per i piedi uno per uno e inserirli nelle scanalature circolari corrispondenti ai quattro angoli della parte inferiore della custodia.
3. Capovolgere lo switch e posizionarlo sul tavolo evitando movimenti bruschi.



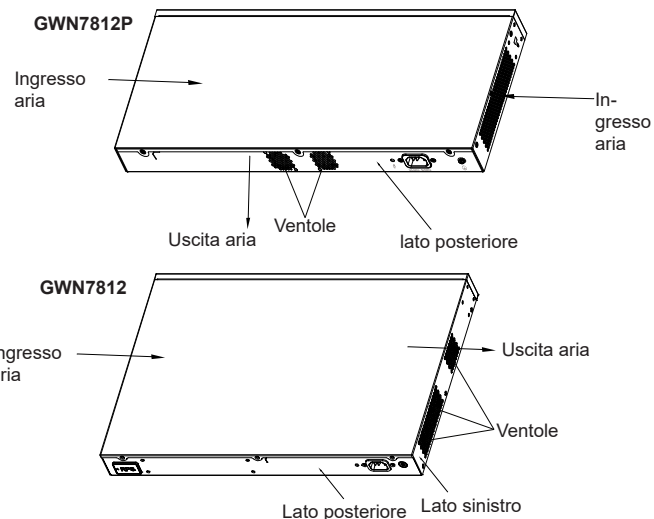
## Installazione su un rack standard da 19"

**Nota:** GWN7811(P) richiede i kit di montaggio a rack estesi.

1. Verificare la messa a terra e la stabilità del rack.
2. Installare i due supporti a L per il montaggio a rack negli accessori su entrambi i lati dello switch e fissarli con le viti in dotazione (KM 3x6).
3. Collocare lo switch in una posizione corretta nel rack e sostenerlo con la staffa.
4. Fissare il montaggio a rack a L alle scanalature di guida su entrambe le estremità del rack con le viti (non incluse) per assicurarsi che lo switch sia installato in modo stabile e orizzontale sul rack.



**Nota:** Per evitare temperature elevate e mantenere fresco il dispositivo, deve essere lasciato sufficiente spazio libero attorno allo switch per consentire la dissipazione del calore. Gli ingressi aria dello switch non devono trovarsi di fronte o vicini alle uscite aria di altri dispositivi.



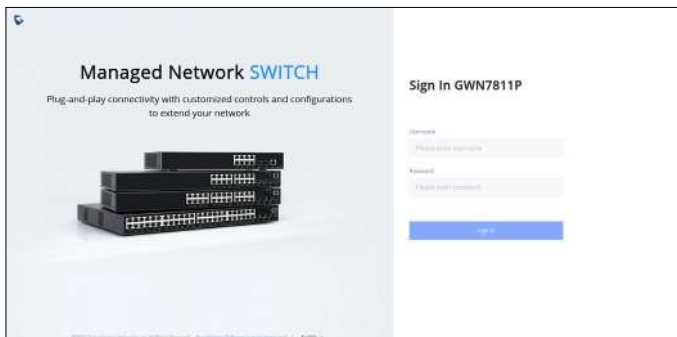
## ACCESSO E CONFIGURAZIONE

**Nota:** Se non è disponibile alcun server DHCP, l'indirizzo IP predefinito di GWN7810 è 192.168.0.254.

### Metodo 1: Accesso tramite l'interfaccia web

1. Un PC utilizza un cavo di rete per collegare correttamente qualsiasi porta RJ45 dello switch.
2. Impostare l'indirizzo IP Ethernet (o della connessione locale) del PC su 192.168.0.x ("x" è un valore qualsiasi compreso tra 1 e 253) e la subnet mask su 255.255.255.0, in modo che si trovi nello stesso segmento di rete con l'indirizzo IP dello switch. Se si utilizza DHCP, questo passo deve essere saltato.
3. Digitare l'indirizzo IP di gestione predefinito `http://<gwn7810_IP>` nel browser e inserire il nome utente e la password per accedere (il nome utente amministratore predefinito è "admin" e la password casuale predefinita si trova sull'adesivo sul retro dello switch GWN7810).





## Metodo 2: Accesso tramite la porta console

1. Utilizzare il cavo della console per collegare la porta della console dello switch e la porta seriale del PC.
2. Aprire il programma di emulazione di terminale del PC (ad esempio SecureCRT), inserire il nome utente e la password predefiniti per accedere (il nome utente amministratore predefinito è "admin" e la password casuale predefinita può essere trovata sull'adesivo sul retro dello switch GWN7810).

## Metodo 3: Accesso da remoto tramite SSH/Telnet

1. Attivare il Telnet dello switch.
2. Digitare "cmd" in PC/Start.
3. Immettere "telnet <gwn7810\_IP>" nella finestra cmd.
4. Per accedere inserire il nome utente e la password predefiniti (il nome utente amministratore predefinito è "admin" e la password casuale predefinita si trova sull'adesivo sul retro dello switch GWN7810).

## Metodo 4: Configurazione tramite GWN.Cloud/GWN Manager

Digitare <https://www.gwn.cloud> nel browser e inserire l'account e la password per accedere alla piattaforma cloud. Se non si dispone di un account, registrarsi prima o chiedere all'amministratore di assegnarne uno.

I termini della licenza GNU GPL sono incorporati nel firmware del dispositivo e sono accessibili tramite l'interfaccia utente Web del dispositivo a: [http\(s\)://IP/gpl\\_license](http(s)://IP/gpl_license). Per ottenere un CD con informazioni sul codice sorgente GPL, si prega di inviare una richiesta scritta a [info@grandstream.com](mailto:info@grandstream.com)

Scaricare il manuale utente dettagliato da:  
<https://www.grandstream.com/our-products>

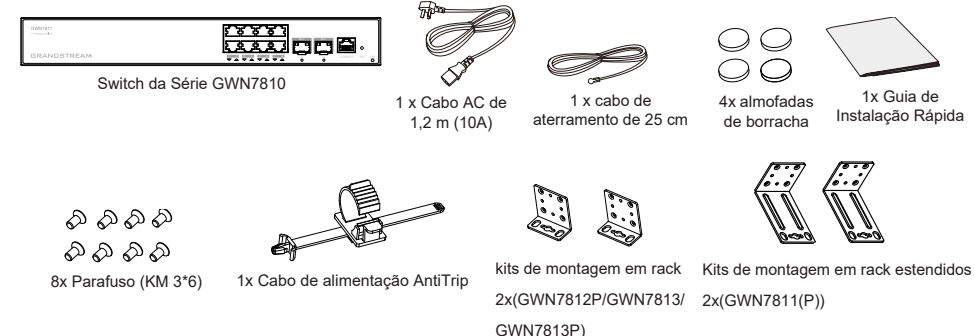
## PT RESUMO

A série GWN7810 está conformada por switches de rede gerenciados de Camada 3 que permitem que empresas de médio a grande porte criem redes de negócios inteligentes, escaláveis, seguras e de alto desempenho que são totalmente gerenciáveis. Ele oferece suporte avançado de VLANs para segmentação de tráfego flexível e sofisticada, QoS avançado para priorização de tráfego de rede, IGMP/MLD Snooping para otimização de desempenho de rede e recursos de segurança abrangentes contra possíveis ataques. Os modelos PoE fornecem saída PoE dinâmica inteligente para alimentar telefones IP, câmeras IP, pontos de acesso Wi-Fi e outros terminais PoE. A série GWN7810 pode ser gerenciada de várias maneiras, incluindo a interface web e CLI, a interface de linha de comando. A série GWN7810 também é compatível com GWN.Cloud e GWN Manager, as plataformas de gerenciamento de rede local e em nuvem da Grandstream. A série GWN7810 são os switches de rede gerenciados de nível empresarial de melhor valor para empresas de médio a grande porte.

## PRECAUÇÕES

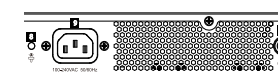
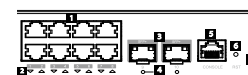
- Não tente abrir, desmontar, ou modificar o dispositivo.
- Não expor o dispositivo a temperaturas fora do intervalo dos 0 °C até os 45 °C em operação e o intervalo dos -10 °C até os 60 °C em armazenamento.
- Não exponha este dispositivo em ambientes com umidade fora do intervalo: 10-90% HR (sem condensação) e 5-95% HR (sem condensação) em armazenamento.
- Não desligue e ligue a energia do GWN7810 durante o reinício do sistema ou durante a atualização de firmware. Você pode corromper o firmware e causar a avaria do dispositivo.

## CONTEÚDO DO PACOTE

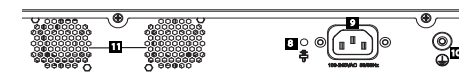
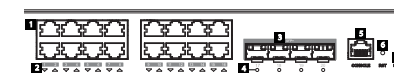


## PORTAS & INDICATOR LED

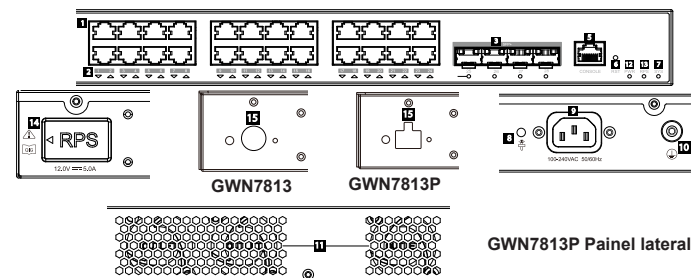
### GWN7811/GWN7811P







### GWN7812P



### GWN7813/GWN7813P



No.	Porta & LED	Descrição
1	GWN7811(P): Port 1-8 GWN7812P: Port 1-16 GWN7813(P): Port 1-24	Portas Ethernet RJ45 (10/100/1000Mbps), usado para conectar terminais. <b>Notas:</b> As portas Ethernet GWN7811P-GWN7812P-GWN7813P suportam PoE e PoE+. As portas 1-8 do GWN7813P suportam PoE++.
2	GWN7811(P): 1-8 GWN7812P: 1-16 GWN7813(P): 1-24	LEDs indicadores das portas Ethernet
3	GWN7811(P): Port 9-10 GWN7812P: Port 17-20 GWN7813(P): Port 25-28	GWN7811(P): 2x portas SFP+ de 10Gbps GWN7812P: 4x portas SFP+ de 10Gbps GWN7813(P): 4x portas SFP+ de 10Gbps
4	GWN7811(P): 9-10 GWN7812P: 17-20 GWN7813(P): 25-28	Indicadores LED das portas SFP+
5	CONSOLE	1x Porta de console, usada para conectar um PC diretamente ao switch e gerenciá-lo.
6	RST	Botão de redefinição de fábrica. Pressione por 5 segundos para redefinir as configurações padrão de fábrica
7	SYS	Indicador LED do sistema
8		Orifício para a unidade de fixação do cabo de alimentação
9	100-240VAC 50-60Hz	Tomada de energia
10		Terminal de aterramento
11	Ventoinha	GWN7812P: 2x Ventoinhas   GWN7813P: 3x Ventoinhas
12	PWR	LED indicador de fonte de alimentação interna
13	RPS	Indicador LED da fonte de alimentação externa secundária
14		Plugue de borracha da fonte de alimentação externa
15		Tomada externa RPS

**Nota:** A RPS externa (Fonte de alimentação redundante) é vendida separadamente.

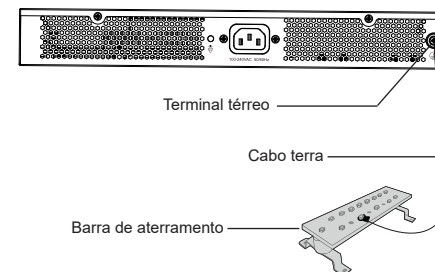
#### Indicador LED

Indicador LED	Status	Descrição
Indicador do sistema	Off	Desligar
	Verde sólido	Inicializando
	Verde piscando	Upgrade
	Azul sólido	Uso normal
	Azul piscando	Provisionamento
	Vermelho sólido	Falha na atualização
	Vermelho piscando	Restauração de fábrica
Indicador de porta	Off	<ul style="list-style-type: none"> <li>Para todas as portas, porta desligada</li> <li>Para portas SFP+, falha de porta</li> </ul>
	Verde sólido	Porta conectada e não há atividade
	Verde piscando	Porta conectada e os dados estão sendo transferidos
	Amarelo sólido	Porta Ethernet conectada e alimentada por PoE
	Amarelo piscando	Porta Ethernet conectada, os dados estão sendo transferidos e alimentados por PoE
	Piscando alternadamente em amarelo e verde	Falha na porta Ethernet
	Off	Não utilizado ou falha
	Verde sólido	Em uso
	Vermelho sólido	Sobre tensão ou subtensão

## ALIMENTAÇÃO E CONEXÃO

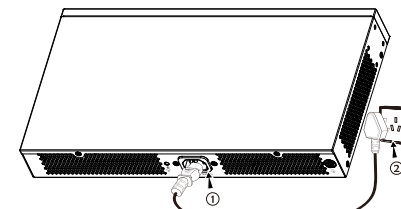
### Aterramento do Switch

1. Remova o parafuso de aterramento da parte traseira do switch e conecte uma extremidade do cabo de aterramento ao terminal de fiação do switch.
2. Coloque o parafuso de aterramento de volta no orifício do parafuso e aperte-o com uma chave de fenda.
3. Conecte a outra extremidade do cabo de aterramento a outro dispositivo que tenha sido aterrado ou diretamente ao terminal da barra de aterramento na sala de equipamentos.



### Ligando o Switch

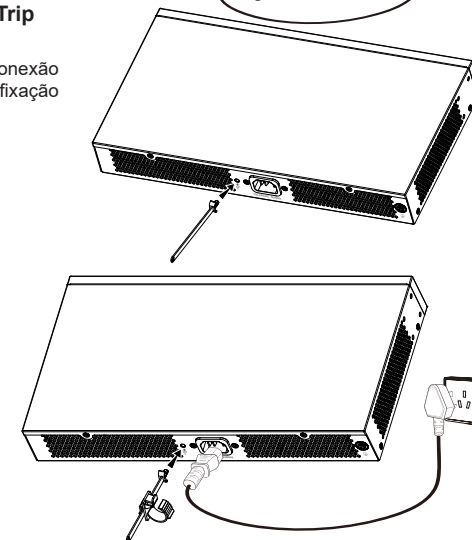
Conecte primeiro o cabo de alimentação e o switch, depois conecte o cabo de alimentação ao sistema de alimentação da sala de equipamentos.



### Conectando o cabo de alimentação Anti-Trip

Para proteger a fonte de alimentação contra desconexão acidental, recomenda-se usar uma unidade de fixação para a instalação do cabo de alimentação.

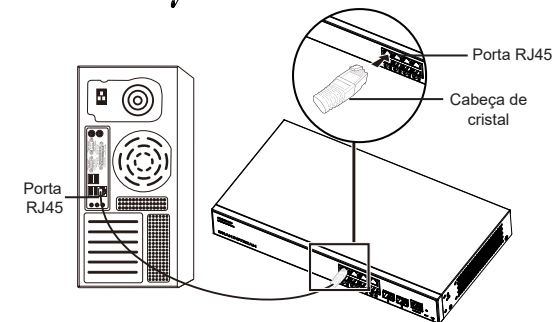
1. Force a cabeça da cinta de fixação firmemente no orifício ao lado da tomada até que esteja presa na carcaça sem cair.
2. Depois de conectar o cabo de alimentação na tomada, deslize o protetor sobre a tira restante até que ele deslize sobre a extremidade do cabo de alimentação.
3. Enrole a tira do cabo de proteção ao redor do cabo de alimentação e prenda-o firmemente. Aperte as tiras até que o cabo de alimentação esteja bem preso.



## CONEXÃO DA PORTA

### Conecte à porta RJ45

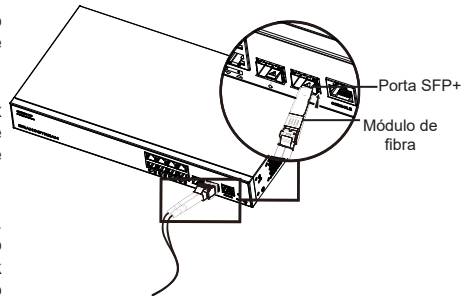
1. Conecte uma extremidade do cabo de rede ao switch e a outra extremidade ao dispositivo a ser conectado.
2. Depois de ligado, verifique o status do indicador de porta. Se estiver ligado, significa que o link está conectado normalmente; se estiver desligado, significa que o link está desconectado, verifique se o cabo e o dispositivo conectados estão habilitados.



## Conexão à porta SFP+

O processo de instalação do módulo de fibra é o seguinte:

1. Segure o módulo de fibra pela lateral e insira-o suavemente ao longo do slot da porta SFP+ do switch até que o módulo esteja em contato próximo com o switch.
2. Ao conectar, preste atenção para confirmar as portas Rx e Tx do módulo de fibra SFP+. Insira uma extremidade da fibra nas portas Rx e Tx de forma correspondente e conecte a outra extremidade a outro dispositivo.
3. Depois de ligado, verifique o status do indicador de porta. Se estiver ligado, significa que o link está conectado normalmente; se estiver desligado, significa que o link está desconectado, verifique se o cabo e o dispositivo conectado estão habilitados.

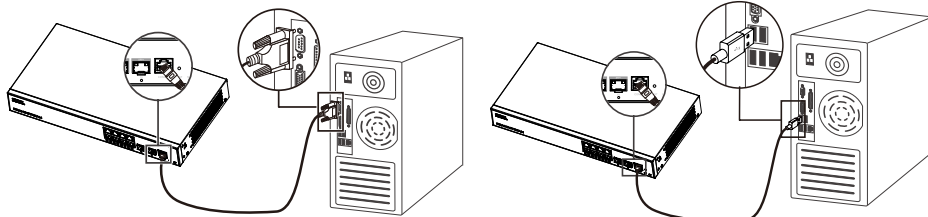


## Notas:

- *Selecione o cabo de fibra óptica de acordo com o tipo de módulo. O módulo multimodo corresponde à fibra óptica multimodo e o módulo monomodo corresponde à fibra óptica monomodo.*
- *Selecione o mesmo cabo de fibra óptica de comprimento de onda para conexão.*
- *Selecione um módulo óptico apropriado de acordo com a situação real da rede para atender a diferentes requisitos de distância de transmissão.*
- *O laser dos produtos a laser de primeira classe é prejudicial aos olhos. Não olhe diretamente para o conector de fibra óptica.*

## Conecte-se à porta do console

1. Conecte o cabo do console (preparado por você mesmo) ao conector DB9 macho ou porta USB ao PC.
2. Conecte a outra extremidade do cabo do console (conector RJ45) à porta do console do switch.



Conecte-se à porta do console (DB9)

Conecte-se à porta do console (USB)

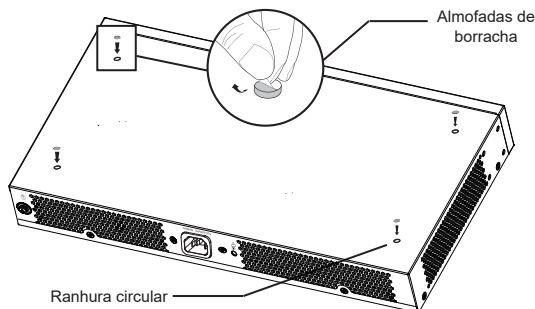
## Observações:

- *Para realizar a conexão, siga os passos na sequência indicada (1 -> 2). Respeite a sequência indicada.*
- *Para realizar a desconexão, a ordem dos passos é inversa (2 -> 1).*

## INSTALAÇÃO

### Instalação no Escritório

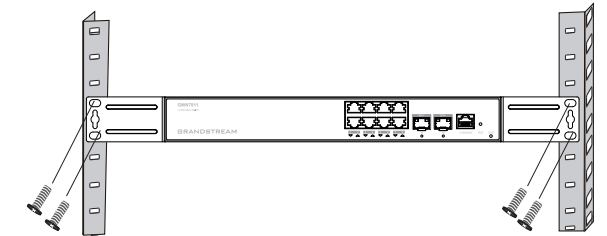
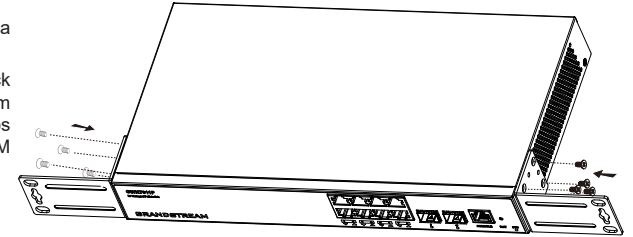
1. Coloque a parte inferior do interruptor em uma mesa suficientemente grande e estável.
2. Retire o papel protetor de borracha dos quatro pés, um por um, e cole-os nas ranhuras circulares correspondentes nos quatro cantos da parte inferior do dispositivo.
3. Vire o switch e coloque-o suavemente sobre a mesa.



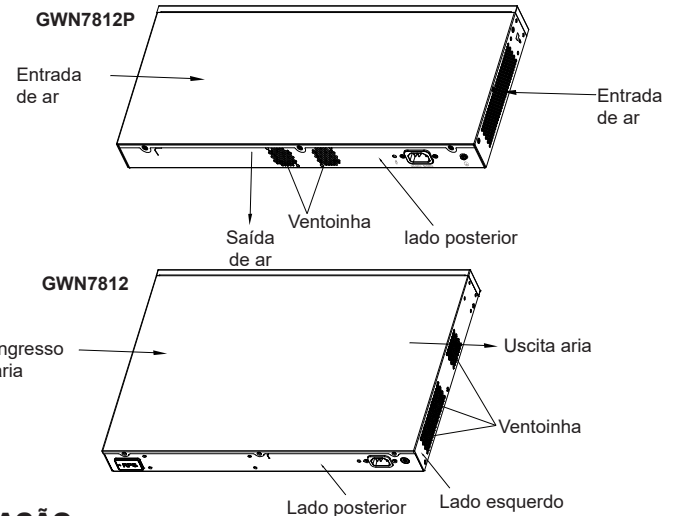
## Instalação em um rack padrão de 19"

**Observação:** GWN7811(P) requer os kits de montagem em rack estendidos.

1. Verifique o aterramento e a estabilidade do rack.
2. Instale os dois suportes de rack em forma de L nos acessórios em ambos os lados do switch e fixe-os com os parafusos fornecidos (KM 3\*6).
3. Coloque o switch em uma posição adequada no rack e apoie-o pelo suporte.
4. Fixe a montagem do rack em forma de L nas ranhuras guia em ambas as extremidades do rack com parafusos (preparados por você) para garantir que o switch esteja instalado de forma estável e horizontal no rack.



**Nota:** Para evitar altas temperaturas e manter o dispositivo resfriado, deve-se deixar espaço suficiente ao redor do switch para a dissipação do calor. A entrada de ar do switch não pode estar voltada ou próxima à saída de ar de outros dispositivos.

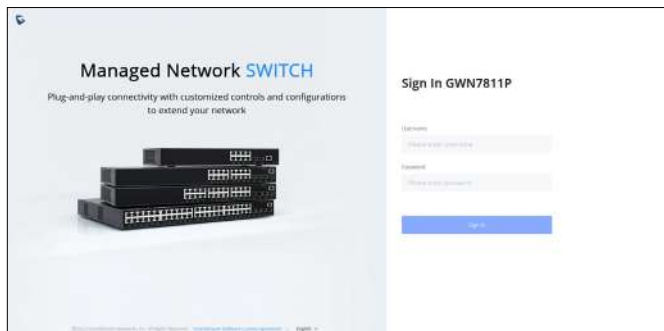


## ACESSO E CONFIGURAÇÃO

**Observação:** Se não há disponível um servidor DHCP, o endereço IP padrão do GWN7810 é 192.168.0.254.

### Método 1: faça login usando a interface do usuário da Web

1. Um PC usa um cabo de rede para conectar corretamente qualquer porta RJ45 do switch.
2. Defina o endereço IP Ethernet (ou conexão local) do PC para 192.168.0.x ("x" é qualquer valor entre 1-253) e a máscara de subrede para 255.255.255.0, para que esteja no mesmo segmento de rede com o endereço IP do switch. Se o DHCP for usado, esta configuração pode ser desconsiderada.
3. Digite o endereço IP de gerenciamento padrão do switch [http://<gwn7810\\_IP>](http://<gwn7810_IP>) no navegador e digite o nome de usuário e a senha para fazer login (o nome de usuário padrão do administrador é "admin" e a senha aleatória padrão pode ser encontrada no adesivo no switch GWN7810).



### Мétodo 2: Faça login usando porta do console

1. Use o cabo do console para conectar a porta do console do switch e a porta serial do PC.
2. Abra o programa de emulação de terminal do PC (por exemplo, SecureCRT), digite o nome de usuário e senha padrão para fazer o login. (O nome de usuário padrão do administrador é "admin" e a senha aleatória padrão pode ser encontrada no adesivo no switch GWN7810).

### Мétodo 3: Faça login remotamente usando SSH/Telnet

1. Ligue o Telnet do switch.
2. Digite "cmd" no PC/Iniciar
3. Digite "telnet <gwn7810\_IP>" na janela cmd.
4. Digite o nome de usuário e a senha padrão para fazer login (o nome de usuário padrão do administrador é "admin" e a senha aleatória padrão pode ser encontrada no adesivo no switch GWN7810).

### Мétodo 4: Configurar usando GWN.Cloud / GWN Manager

Digite <https://www.gwn.cloud> no navegador e insira a conta e a senha para fazer login na plataforma de nuvem. Se você não tiver uma conta, registre-se primeiro ou peça ao administrador para atribuir uma para você.

Os termos de licença GNU GPL estão dentro do firmware do dispositivo e você pode visualizar o documento através da interface web do dispositivo, em `my_device_ip/gpl_license`. Também, pode visualizar o documento através do site: <http://www.grandstream.com/legal/open-source-software>

Para obter um CD com a informação do código fonte GPL, por favor solicite-o através de [info@grandstream.com](mailto:info@grandstream.com)

Para o manual do usuário detalhado, faça o download desde: <https://www.grandstream.com/our-products>

## RU ОБЗОР ПРОДУКТА

Серия GWN7810 — это управляемые сетевые коммутаторы 3 уровня, которые позволяют средним и крупным предприятиям создавать полностью управляемые масштабируемые, безопасные, высокопроизводительные и интеллектуальные сети. Коммутаторы поддерживают VLAN для гибкой сегментации трафика, расширенные возможности QoS для приоритизации сетевого трафика, IGMP/MLD Snooping для оптимизации производительности сети и комплексные функции защиты от потенциальных атак. Модели PoE обеспечивают интеллектуальное PoE для питания IP-телефонов, IP-камер, точек доступа Wi-Fi и других конечных точек PoE. Серия GWN7810 может управляться несколькими способами, включая локальный веб-интерфейс пользователя коммутатора серии GWN7810 и CLI, интерфейс командной строки. Серия также поддерживается GWN.Cloud и GWN Manager, облачной и локальной платформой управления сетью Grandstream. Серия GWN7810 — это управляемые сетевые коммутаторы корпоративного уровня с лучшим соотношением цены и качества для средних и крупных предприятий.

## МЕРЫ ПРЕДОСТОРОЖНОСТИ

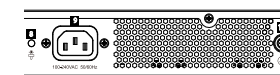
- Не пытайтесь открыть, разобрать или изменить устройство.
- Не подвергайте воздействию температуры вне диапазона от 0 °C до 45 °C при эксплуатации и от -10°C до 60°C при хранении.
- Не используйте данное устройство в среде, где значение влажности выходит за диапазон: Относит. влажность 10%-90% (без конденсации) и 5%-95% Относит. влажность (без конденсации) при хранении.
- Не включать-выключать устройство GWN7810 в процессе начального запуска системы или в процессе обновления прошивки. Вы можете тем самым повредить заводскую прошивку устройства и вывести его из строя.

## СОДЕРЖИМОЕ УПАКОВКИ

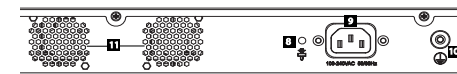
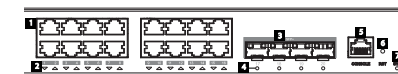


## Порты и светодиодный индикатор

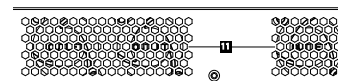
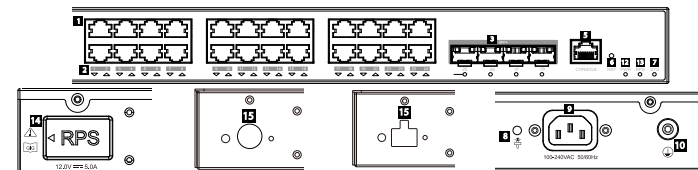
### GWN7811/GWN7811P







### GWN7812P



### GWN7813/GWN7813P



GWN7813P боковая панель

Нет.	Порт и светодиод	Описание
1	GWN7811(P): Порт 1-8 GWN7812P: Порт 1-16 GWN7813(P): Порт 1-24	Ethernet RJ45 (10/100/1000 Мбит/с), используемые для подключения терминалов. <b>Примечание:</b> Ethernet-порты GWN7811P/GWN7812P/GWN7813P поддерживают PoE и PoE+. GWN7813P порты 1-8 поддерживают PoE++.
2	GWN7811(P): 1-8 GWN7812P: 1-16 GWN7813(P): 1-24	Светодиодные индикаторы портов Ethernet
3	GWN7811(P): Порт 9-10 GWN7812P: Порт 17-20 GWN7813(P): Порт 25-28	GWN7811(P): 2 порта SFP+ 10 Гбит/с GWN7812P: 4 порта SFP+ 10 Гбит/с GWN7813(P): 4 порта SFP+ 10 Гбит/с
4	GWN7811(P): 9-10 GWN7812P: 17-20 GWN7813(P): 25-28	Светодиодные индикаторы портов SFP+
5	CONSOLE	1x Консольный порт, используется для подключения ПК напрямую к коммутатору и управления.
6	RST	Кнопка сброса к заводским настройкам. Нажмите и удерживайте 5 секунд, чтобы сбросить заводские настройки по умолчанию.
7	SYS	Светодиодный индикатор системы
8		Отверстие для защиты шнура питания
9	100-240VAC 50-60Hz	Розетка
10		Клемма заземления
11	Вентилятор	GWN7812P: 2x Вентиляторы   GWN7813P: 3x Вентиляторы
12	PWR	Светодиодный индикатор внутреннего источника питания
13	RPS	Светодиодный индикатор вторичного внешнего источника питания
14		Резиновая заглушка внешнего источника питания
15		Внешняя розетка питания RPS

**Примечание:** Внешний источник питания RPS (Redundant Power Supply) продается отдельно.

#### Светодиодный индикатор

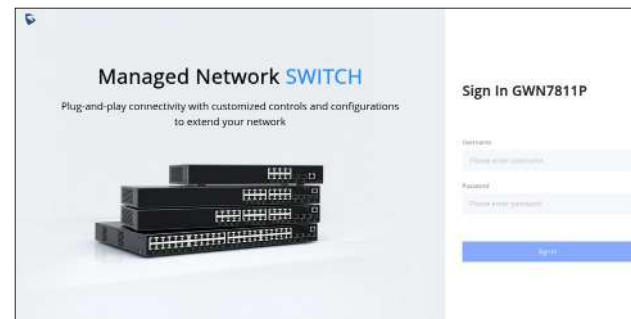
Светодиодный индикатор	Статус	Описание
Системный индикатор	Выключенный	Выключение
	Постоянный зеленый	Загрузка
	Мигающий зеленый	Обновление
	Постоянный синий	Обычное использование
	Мигающий синий	Настройка
	Постоянный красный	Ошибка обновления
	Мигающий красный	Сброс к заводским настройкам
Индикатор порта	Выключенный	<ul style="list-style-type: none"> <li>Для всех портов, порт выключен</li> <li>Для портов SFP+, сбой порта</li> </ul>
	Постоянный зеленый	Порт подключен и нет активности
	Мигающий зеленый	Порт подключен и данные передаются
	Постоянный желтый	Порт Ethernet подключен, питание по PoE
	Мигающий желтый	Порт Ethernet подключен, данные передаются, питание по PoE
PWR/RPS Индикатор	Поочередно мигает желтым и зеленым	Сбой порта Ethernet
	Выключенный	Не используется или сбой
	Постоянный зеленый	Используется
	Постоянный красный	Перенапряжение или пониженное напряжение

## ДОСТУП И НАСТРОЙКА

**Примечание.** Если DHCP недоступен, IP-адрес gwn7810 по умолчанию будет 192.168.0.254.

### Способ 1: вход через консольный порт

- ПК использует сетевой кабель для подключения к любому порту RJ45 коммутатора.
- Установите IP-адрес Ethernet ПК на 192.168.0.x («x» — любое значение от 1 до 253) и маску подсети на 255.255.255.0, чтобы он находился в том же сегменте сети. с IP-адресом коммутатора. Если используется DHCP, то этот шаг можно пропустить.
- Введите IP-адрес управления коммутатора по умолчанию `http://<gwn7810_IP>` в браузере и введите имя пользователя и пароль для входа в систему (имя пользователя администратора по умолчанию — «admin», а случайный пароль по умолчанию можно найти на наклейке на коммутаторе GWN7810).



### Способ 2: вход с помощью веб-интерфейса

- Используйте консольный кабель для подключения консольного порта коммутатора к последовательному порту ПК.
- Откройте программу эмуляции терминала ПК (например, SecureCRT), введите имя пользователя и пароль по умолчанию для входа. (Имя пользователя администратора по умолчанию — «admin», а случайный пароль по умолчанию можно найти на наклейке на коммутаторе GWN7810).

### Способ 3: удаленный вход с использованием SSH/Telnet

- Включите Telnet коммутатора.
- Введите «cmd» в ПК/Пуск.
- Введите “telnet <gwn7810\_IP>” в окне cmd.
- Введите имя пользователя и пароль по умолчанию для входа в систему (имя пользователя администратора по умолчанию — «admin», а случайный пароль по умолчанию можно найти на наклейке на коммутаторе GWN7810).

### Способ 4: настроить с помощью GWN.Cloud / GWN Manager

Введите `https://www.gwn.cloud` в браузере и введите учетную запись и пароль для входа в облачную платформу. Если у вас нет учетной записи, сначала зарегистрируйтесь или попросите администратора назначить ее для вас.

Условия лицензии GNU GPL включены в прошивку устройства и доступны через веб-интерфейс пользователя устройства по адресу `my_device_ip/gpl_license`. Также можно получить доступ здесь: <https://www.grandstream.com/legal/open-source-software> Для получения компакт-диска с информацией об исходном коде GPL, пожалуйста, отправьте письменный запрос по адресу `info@grandstream.com`

Подробное руководство пользователя можно загрузить здесь:

<https://www.grandstream.com/our-products>



## **Certification Regulatory Information**

### **U.S. FCC Part 15 Regulatory Information**

This device complies with part 15 of the FCC Rules. Operation is subject to the following two conditions:(1) this device may not cause harmful interference, and(2) this device must accept any interference received, including interference that may cause undesired operation.

Any changes or modifications not expressly approved by the party responsible for compliance could void the user's authority to operate the equipment.

**NOTE:** This equipment has been tested and found to comply with the limits for a Class A digital device, pursuant to part 15 of the FCC Rules. These limits are designed to provide reasonable protection against harmful interference when the equipment is operated in a commercial environment. This equipment generates, uses, and can radiate radio frequency energy and, if not installed and used in accordance with the instruction manual, may cause harmful interference to radio communications. Operation of this equipment in a residential area is likely to cause harmful interference in which case the user will be required to correct the interference at his own expense.

### **Canada Regulatory Information**

#### **CAN ICES-003 (A)/NMB-003(A)**

This product meets the applicable Innovation, Science and Economic Development Canada technical specifications.

Le présent produit est conforme aux spécifications techniques applicables d'Innovation, Sciences et Développement économique Canada.

### **EU Regulatory Information**

Hereby, [Grandstream Networks, Inc.] declares that the equipment type [GWN7810] is in compliance with Directive 2014/30/EU&2014/35/EU.

The full text of the EU declaration of conformity is available at the following internet address: [www.grandstream.com](http://www.grandstream.com)

### **UK Regulatory Information**

Hereby, [Grandstream Networks, Inc.] declares that the equipment type [GWN7810] is in compliance with UK SI 2016 No. 1091&2016 No. 1101.

The full text of the UK declaration of conformity is available at the following internet address: [www.grandstream.com](http://www.grandstream.com)